



Sliding roof - Kit 74

Sliding roof - spare parts 76

Aluminium profiles 81

Frame aluminium profiles 82



ROOFS, PILLARS & PROFILES

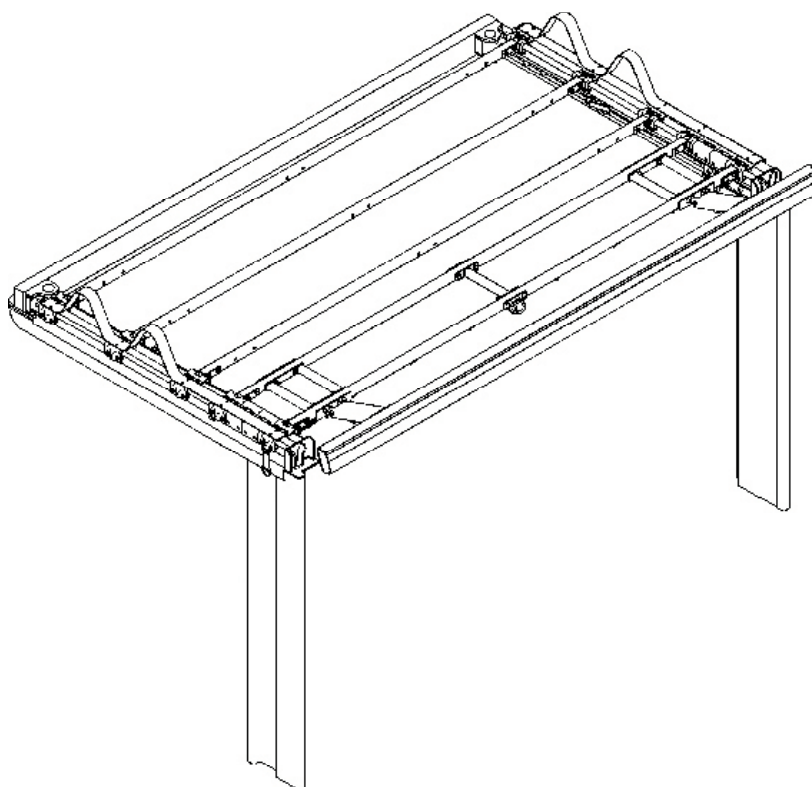


▲ Sliding roof kit with lifting aluminium rear crosspiece



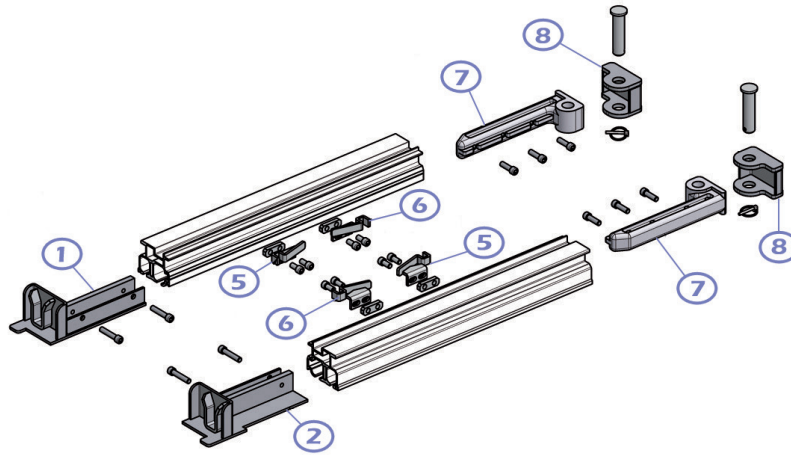
Items not included in these kits:

- Aluminium tracks
- Posts head assembly
- Sliding posts
- Curtain rollers
- Waterproof roof flap (Pelmet)
- Roof cover

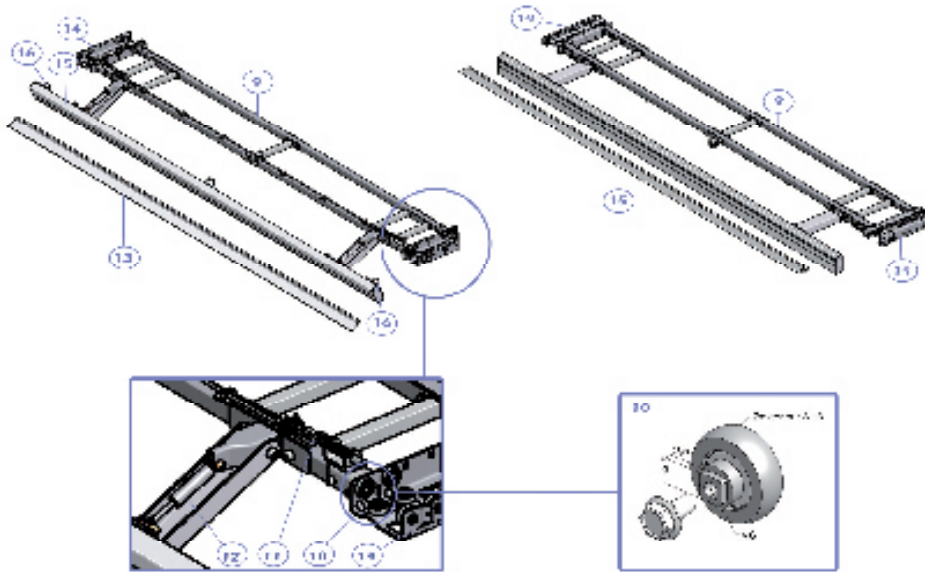


Reference	Length of the body (mm, without bulk head)	Number of roofsticks
76 004 10	4162 - 4262	4
76 005 10	4272 - 5022	5
76 006 10	5032 - 5782	6
76 007 10	5792 - 6542	7
76 008 10	6552 - 7302	8
76 009 10	7312 - 8062	9
76 010 10	8072 - 8822	10
76 011 10	8832 - 9582	11
76 012 10	9592 - 9762	12
76 017 10	13500	17
76 020 10	13500	20
76 022 10	13500	22

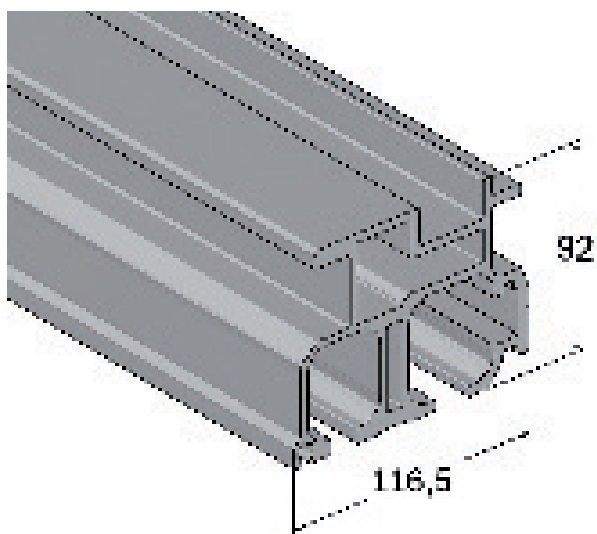
Kit



Mark	Description	Quantity included in the kit
1	Left rear track mounting and 2 screws	1
2	Right rear track mounting and 2 screws	1
5	Right front or left back keeper + screws	2
6	Left front or right back keeper + screws	2
7	Aluminium front track bulkhead + 3 screws	2
8	Front fixing keeper + axle and pin	2

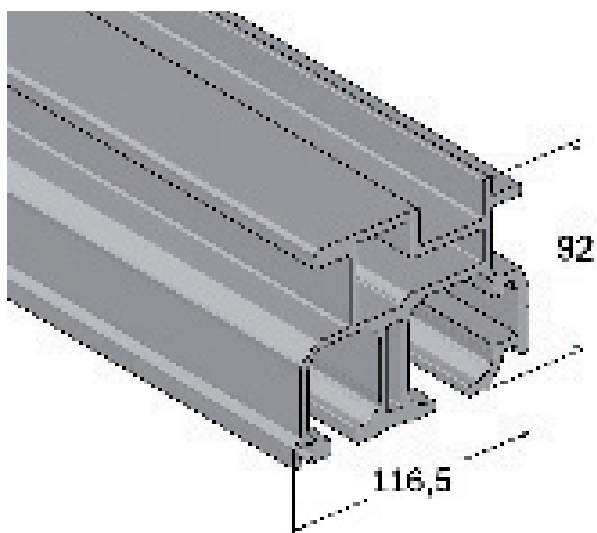


Mark	Description	Quantity included in the kit
-	Pulling strap	2
-	Hook for elastic strap	2
9	Assembled rear crosspiece Equipped with following numbers : 10 - 11 - 12 - 13 - 14 - 15 - 16	1
-	Bichromated roofsticks	4-22
-	Single bow head with 2 screws	8-44
-	Tarpaulin roof lifting 14m or 18m	1
-	Rod alone	1
-	Rod strap	1
13	Water jet cross	1



▲ Tracks premachined at the back
Mill finish aluminium

Reference	Side	length (m)	Weight (kg/m)
76 231	Right	13,6	6,6
76 232	Left	13,6	6,6

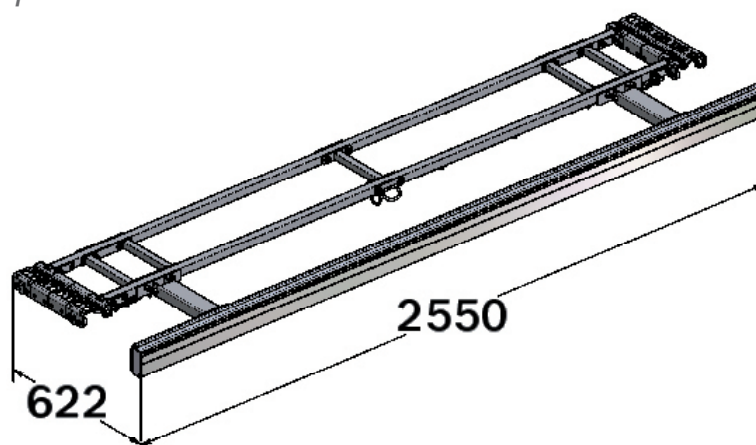


▲ Tracks premachined at the back
Mill finish aluminium

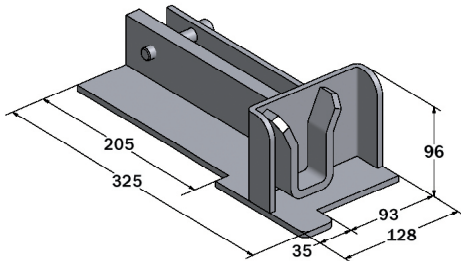
Reference	Side	length (m)	Weight (kg/m)
76 235	Right	9,6	6,6
76 236	Left	9,6	6,6

▲ Assembled rear crosspiece, supplied without "cap" profile

Reference	Material
76 980 10	Steel

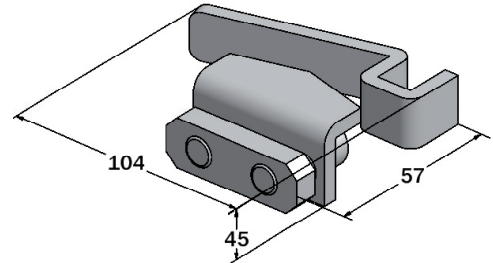


▲Rear track mounting and 2 screws
Self colour steel



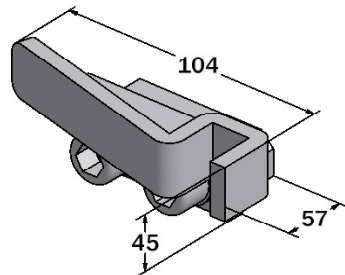
Reference	Side
76 970 10	Left
76 971 10	Right

▲Keeper for crosspiece - with screws
For right front or left back crosspiece



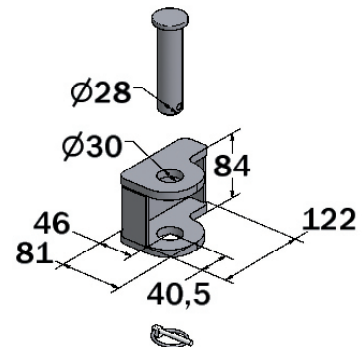
Reference
76 980 48

▲Crosspiece keeper with its screws
For left front or right back crosspiece

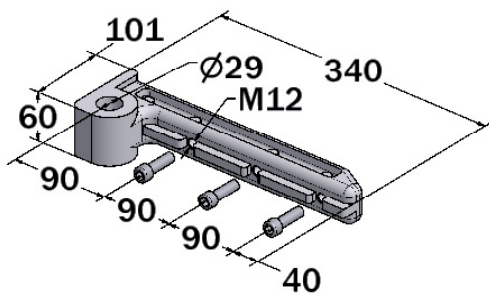


Reference
76 980 47

▲Front fixing keeper with axle and pin



Reference
76 943 10



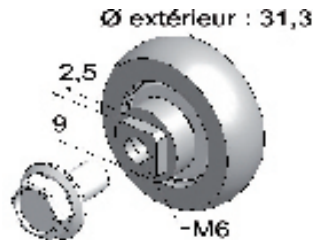
▲Front track bulkhead fixing
and 3 screws
Aluminium

Reference
76 950 10



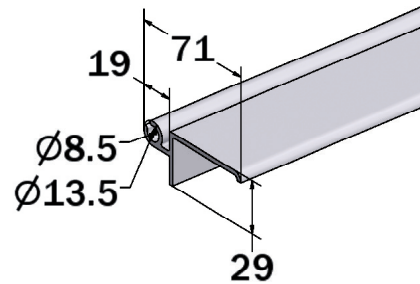
▲Roof sticks replacement bearing

Steel, Delrin rollers easy to change without disassembling bow heads.
For 76 900 10 and 76 910 10



Reference	Diameter (mm)	Thickness (mm)
76 909 10	31	10

▲“Cap” profile



Reference	Material
76 940 10	Mill finish aluminium

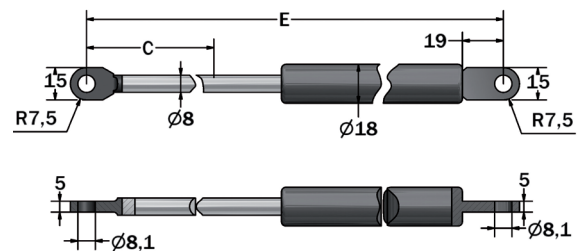
▲Pulling strap



Reference	Material
76 942 10	Zinc plated steel

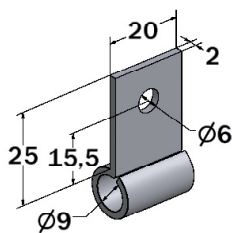
▲Gas spring

Nitrided rod



Reference	Strength (kg)	Diameter rod (mm)	Stroke (mm)	Length (mm)	Weight (kg)
143 051	65	8	45	158	0,11

▲Hook for elastic strap



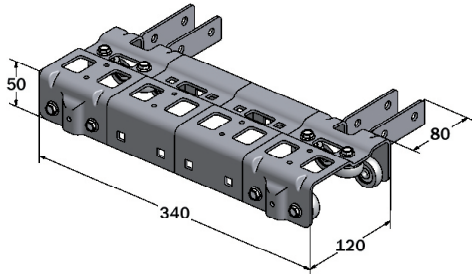
Reference	Material
76 902 10	Zinc plated steel

▲Rod alone



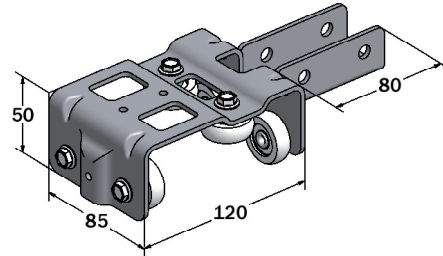
Reference	Material
76 941 40	Zinc plated steel

▲ Double bow head with 12 bearings
For backside crosspiece



Reference	Material
76 910 10	Zinc plated steel

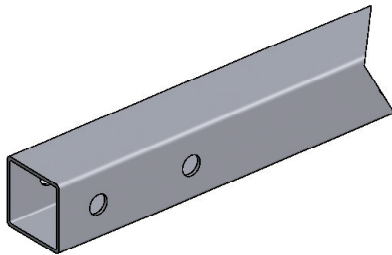
▲ Single bow head with 2 screws and 6 bearings



Reference	Material
76 900 10	Zinc plated steel

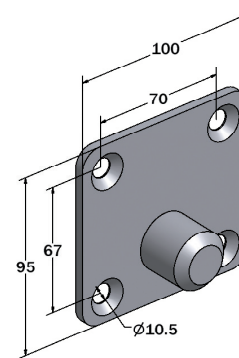


▲ Roofsticks



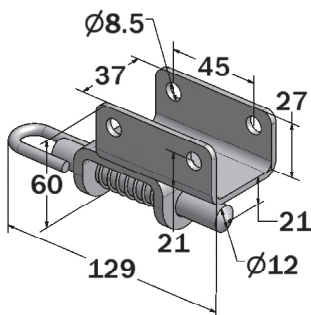
Reference	Material
76 905 10	Zinc plated Steel

▲ Centering element on rear crosspiece



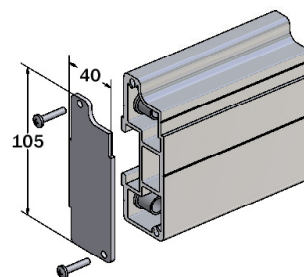
Reference	Material
76 980 40	Zinc plated steel

▲ Rear crosspiece lock



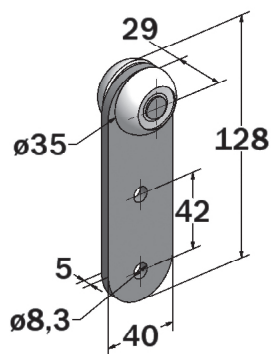
Reference	Material
76 980 49	Zinc plated steel

▲ Rear crosspiece with its ends and inserts



Reference	Material
76 980 45	Aluminium

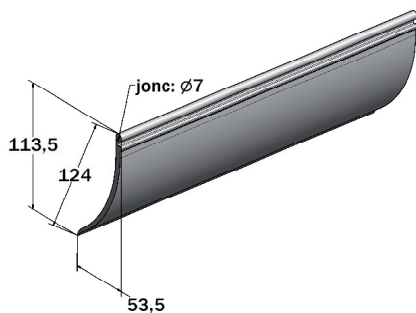
▲ Lateral curtain roller assembly



Reference	Weight (kg)	Packaging
143 320	0,23	120

▲ Waterproof roof flap

Grey



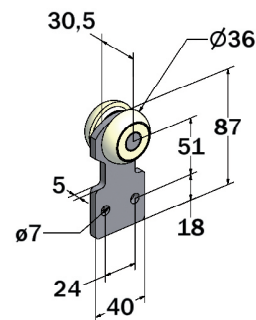
Reference	Diameter (mm)	Coil m	Weight (kg)
270 541	7	28	15,1

▲ Rod strap (extension)



Reference
76 941 41

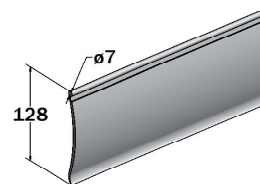
▲ Lateral curtain roller assembly



Reference	Weight (kg)	Packaging
143 322	0,15	100

▲ Waterproof roof flap

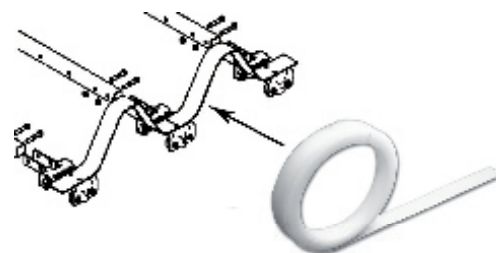
Grey



Reference	Coil m	Weight (kg)
270 555	28	18,8

▲ Profile for curtain reinforcement

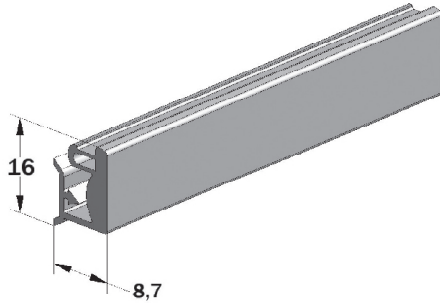
Polypropylene
Translucent white



Reference	Coil m	Width (mm)	Thickness (mm)
143 360	100	60	2,8
143 364	14	60	2,8
143 368	18	60	2,8

▲Profile

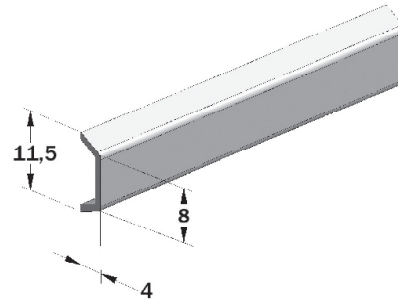
Rubber
Black



Reference	Length (m)
270 007	100

▲Profile

PVC
Black

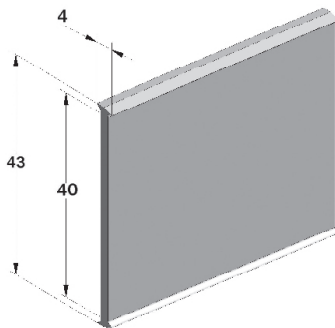


Reference	Length (m)
265 200	100



▲Sole

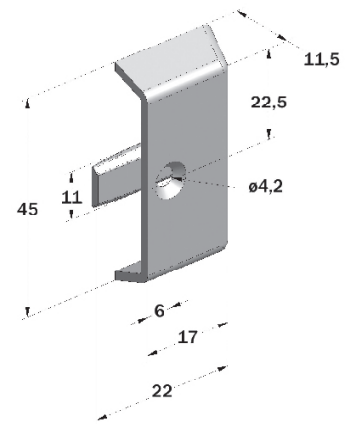
PVC
Black



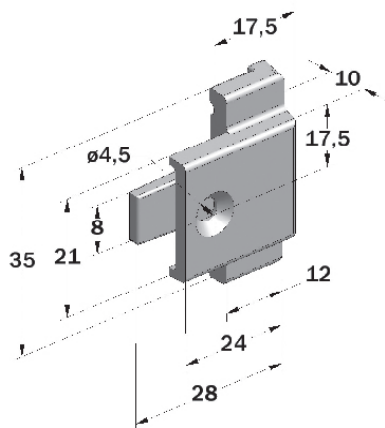
Reference	Length (mm)
265 500	5000

▲Cap

Aluminium epoxy
Black



Reference	Length (mm)
270 008	



▲Cap

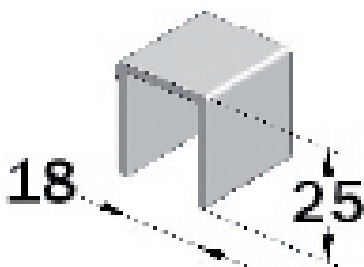
Aluminium epoxy
Black

Reference
270 004



▲Profile H=25 mm

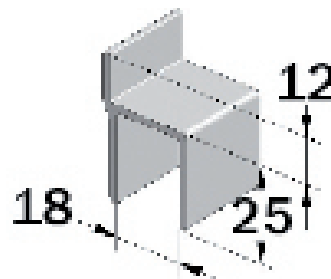
Mill finish aluminium



Reference	Length (mm)	Weight (g/m)
42 065 216 00	6000	400

▲Profile H=25 +12 mm

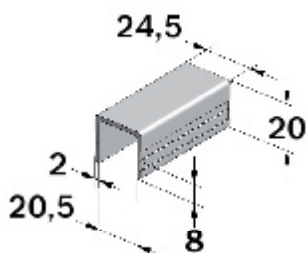
Mill finish aluminium



Reference	Length (mm)	Weight (g/m)
42 020 516 00	6000	470

▲Profile H=20 mm

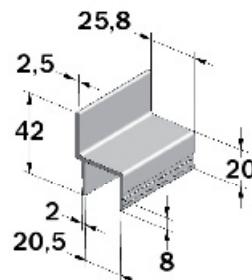
Mill finish aluminium



Reference	Length (mm)	Weight (g/m)
481 211	5000	320

▲Profile H=20 +22 mm

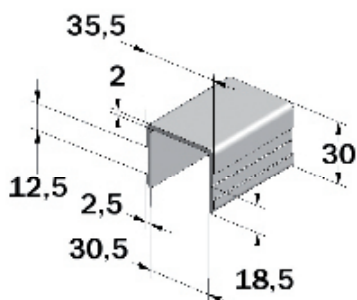
Mill finish aluminium



Reference	Length (mm)	Weight (g/m)
481 221	5000	475

▲Profile H=30 mm

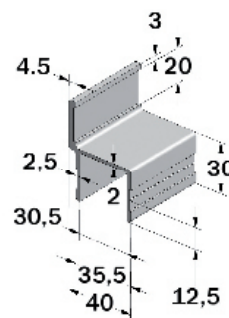
Anodized aluminium



Reference	Length (mm)	Weight (g/m)
481 312	6000	320

▲Profile H=30+20 mm

Anodized aluminium



Reference	Length (mm)	Weight (g/m)
481 322	6000	770