



<i>Stainless steel Anti-rack locking gear</i>	101
<i>15 x 21 mm Anti-rack locking gear</i>	107
<i>20 x 27 mm Anti-rack locking gear</i>	108
<i>26 x 34 mm Anti-rack locking gear</i>	113
<i>Underslung locking gears</i>	114
<i>Stainless steel recessed locking gears</i>	119
<i>Recessed locking gears</i>	120
<i>Tubes for locking gears</i>	121



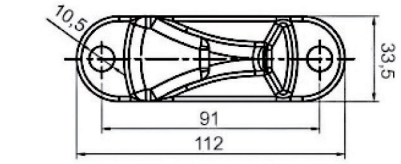
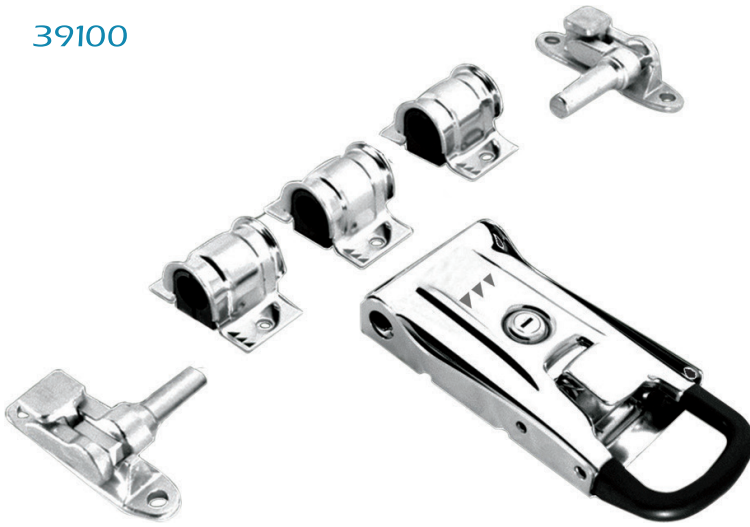
LOCKING GEARS



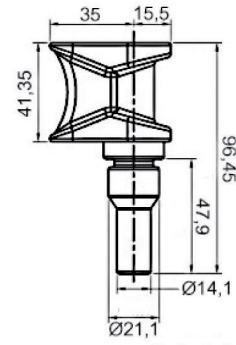
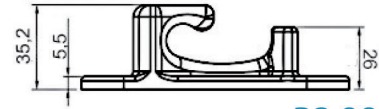
▲ Anti-rack locking gear Ø20 mm
Stainless steel 304 - Mirror polished



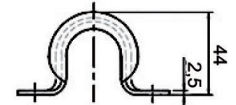
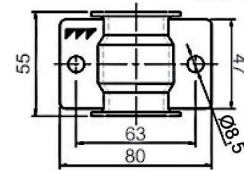
39100



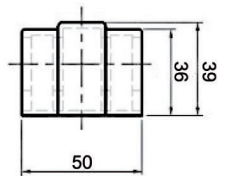
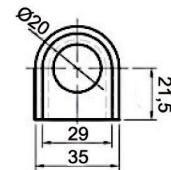
39 004



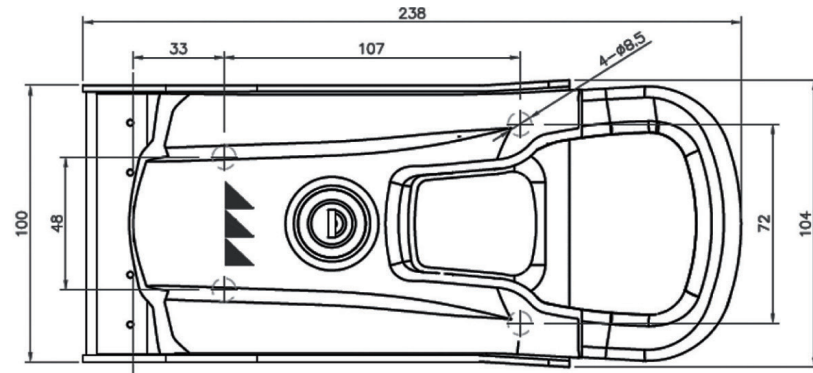
39 005



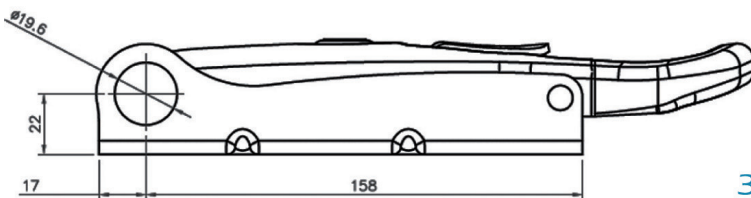
39 103



39 207



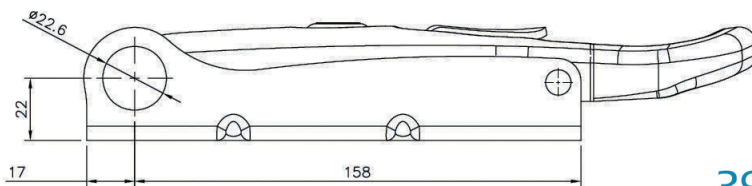
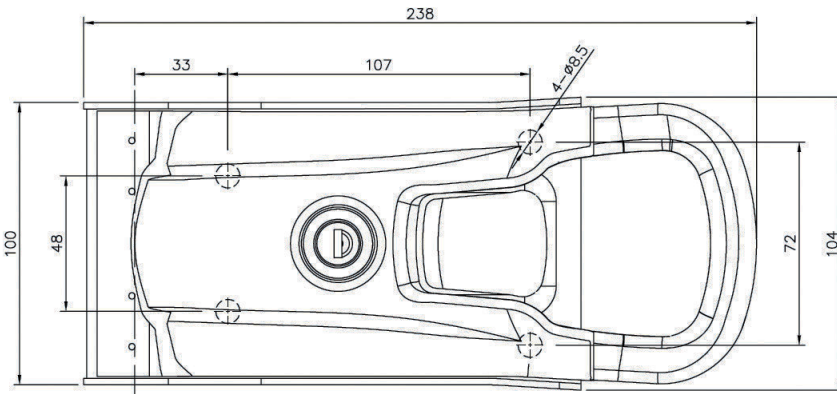
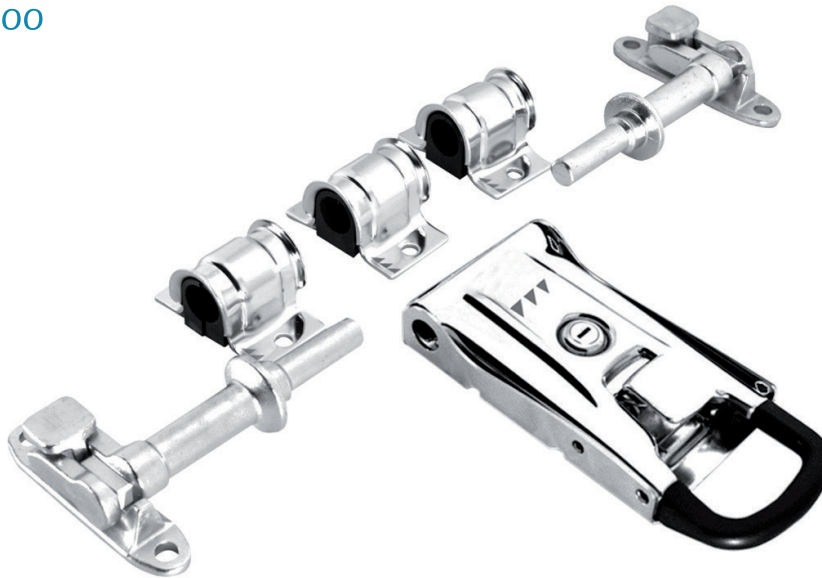
39 001



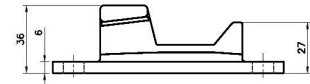
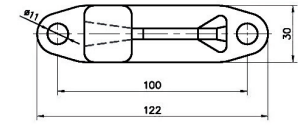
Reference	Description	Weight (kg)	Packaging
39 100	Complete locking gear 20 mm	2,95	1
39 001	Locking gear alone	1,05	1
39 020	Complete set for locking gear	1,90	1
39 004	Keeper 20 mm	0,35	2
39 005	Cam 20 mm	0,36	2
39 103	Front guide	0,15	3
39 207	Nylon backplate for front guide 39103	0,01	3

▲ Anti rack system for Ø22 mm tube
Stainless steel 304 - Mirror polished

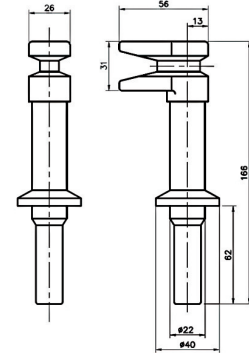
39200



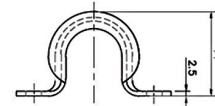
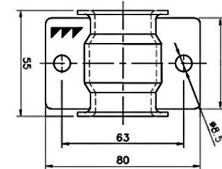
39 002



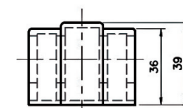
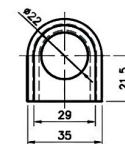
39 303



39 405



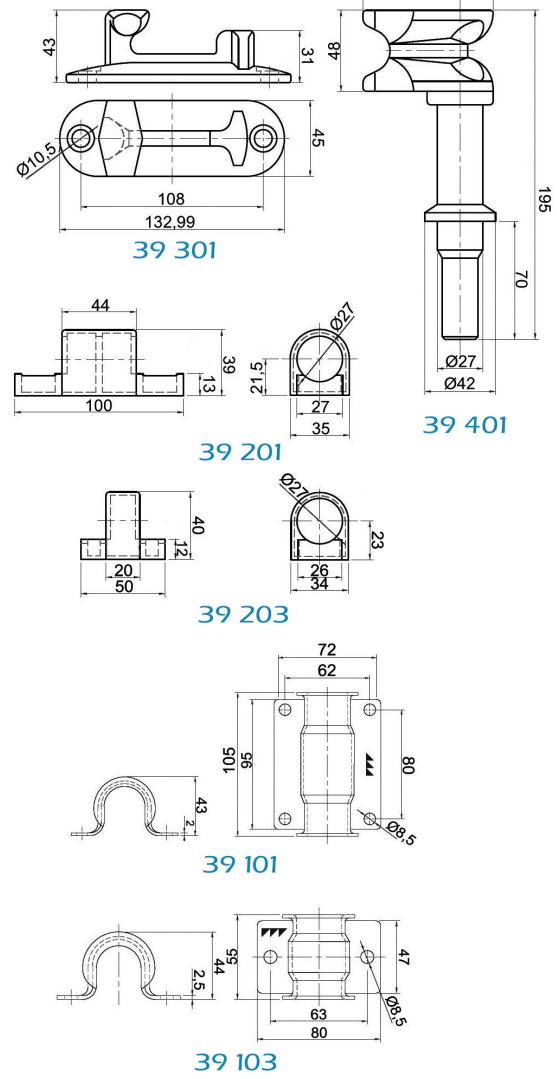
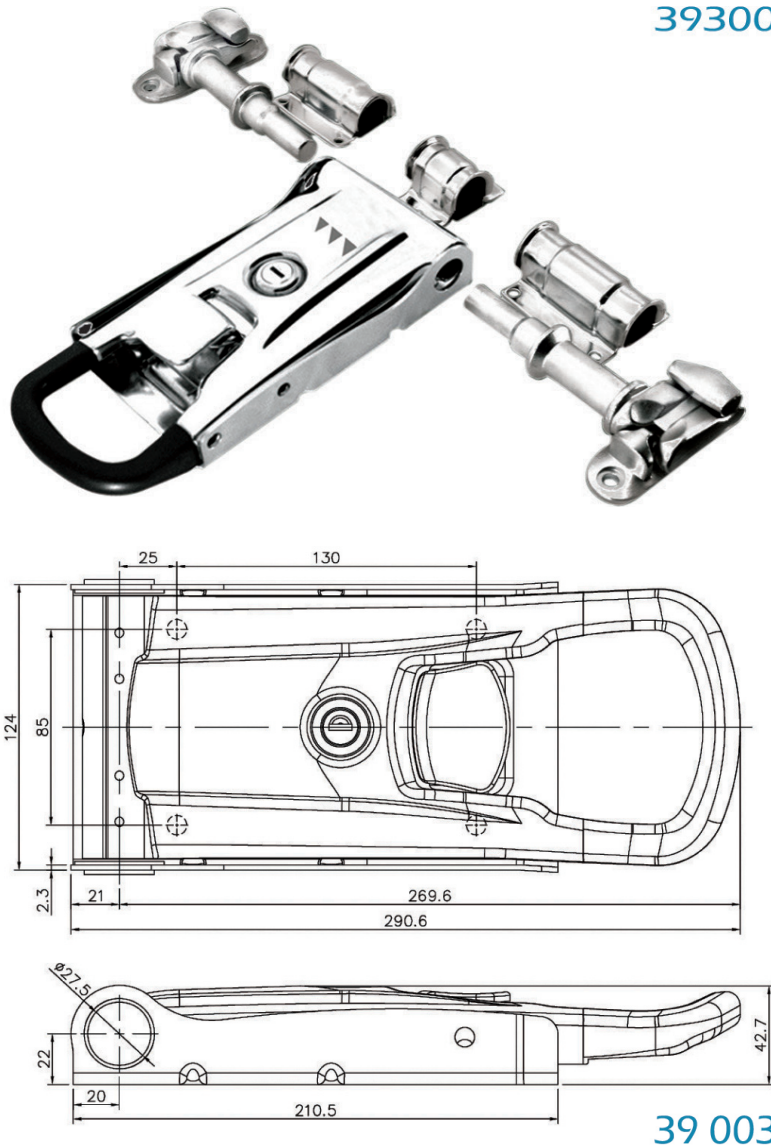
39 103



39 204

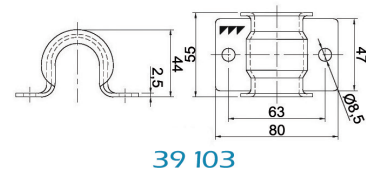
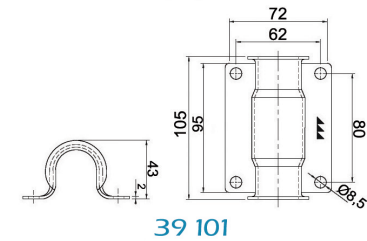
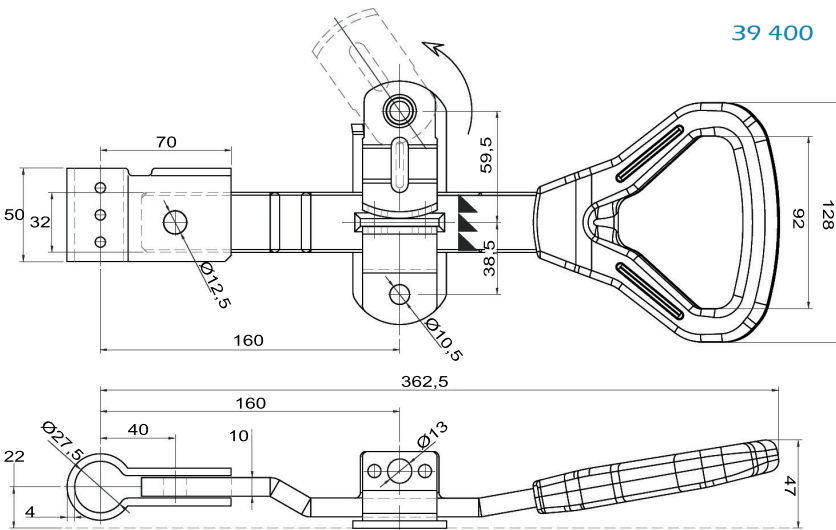
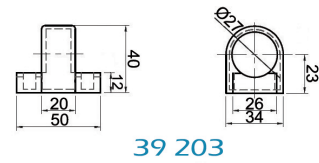
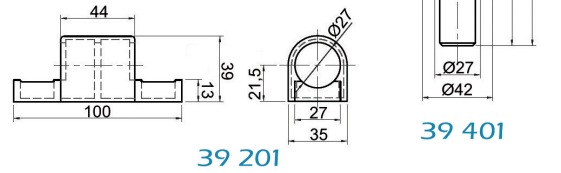
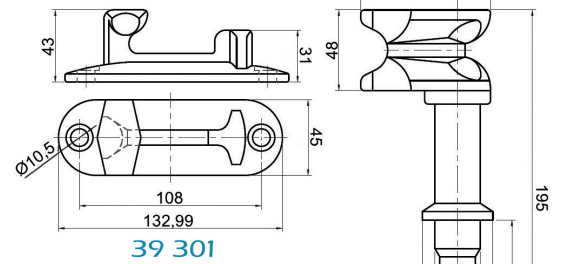
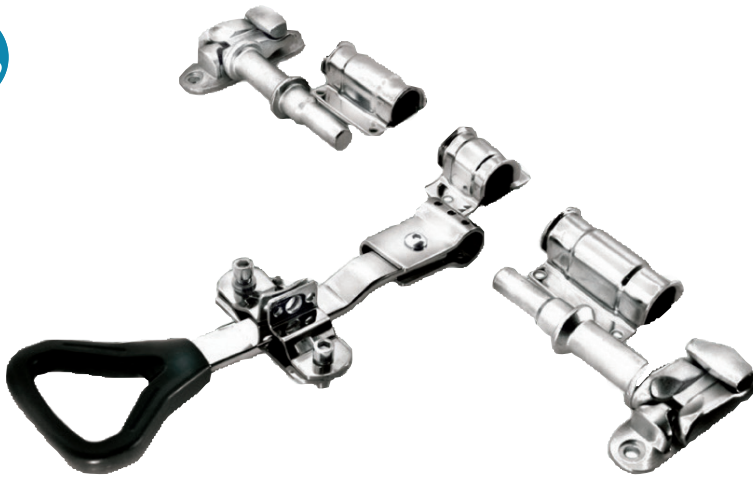
Reference	Description	Weight (kg)	Packaging
39 200	Complete locking gear 22 mm	4,28	1
39 002	Locking gear 22 mm alone	2,16	1
39 022	Set for locking gear Ø22 mm	2,12	1
39 405	Cam 22 mm	0,56	2
39 303	Keeper 22 mm	0,26	2
39 103	Front guide	0,15	1
39 204	Nylon backplate for 39103	0,01	1

▲ Anti rack system for Ø27 mm tube
Stainless steel 304 - Mirror polished



Reference	Description	Weight (kg)	Packaging
39 300	Complete locking gear 27 mm	4,28	1
39 003	Locking gear 27 mm alone	2,16	1
39 027	Set for locking gear 27 mm	3,82	1
39 401	Cam 27 mm	0,99	2
39 301	Keeper 27 mm	0,56	2
39 103	Front guide 50 mm	0,15	1
39 101	Front guide 95 mm	0,27	2
39 201	Nylon backplate for 39101	0,01	2
39 203	Nylon backplate for 39103	0,01	1

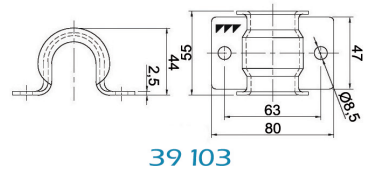
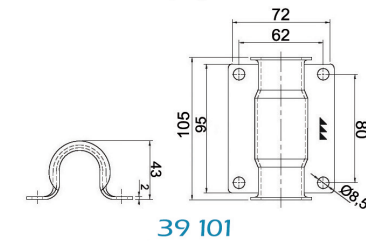
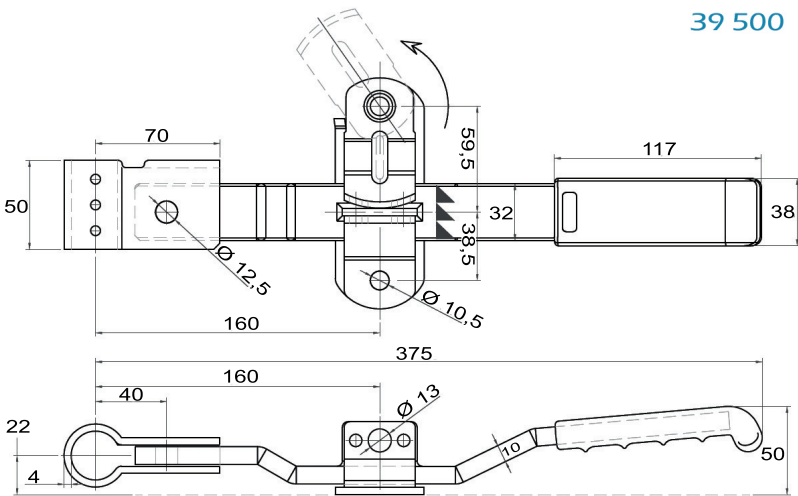
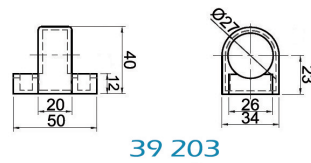
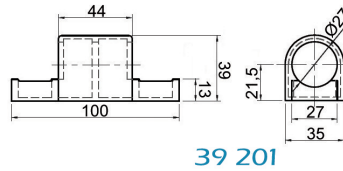
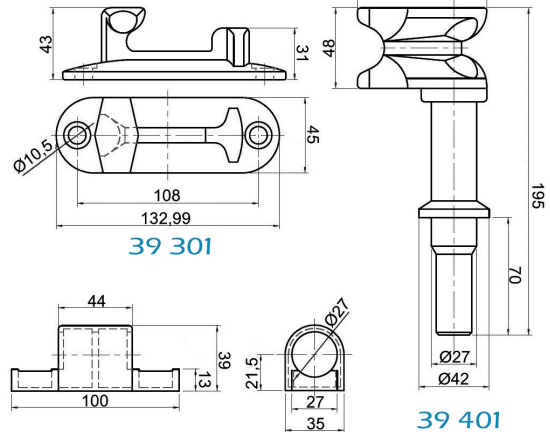
▲ Anti-rack locking gear for Ø27 mm tube Stainless steel 304 - Mirror polished



Reference	Description	Weight (kg)	Packaging
39 400	Locking gear Ø27 mm delta handle	1,34	1
39 027	Set for locking gear Ø27 mm	3,82	1
39 401	Cam Ø27 mm	0,99	2
39 301	Keeper Ø27 mm	0,56	2
39 103	Front guide 50 mm	0,15	1
39 101	Front guide 95 mm	0,27	2
39 201	Nylon backplate for 39101	0,01	2
39 203	Nylon backplate for 39103	0,01	1

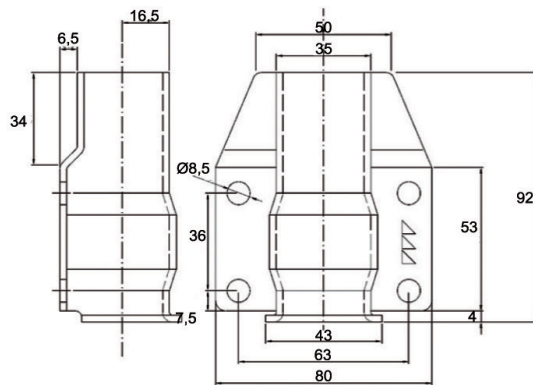
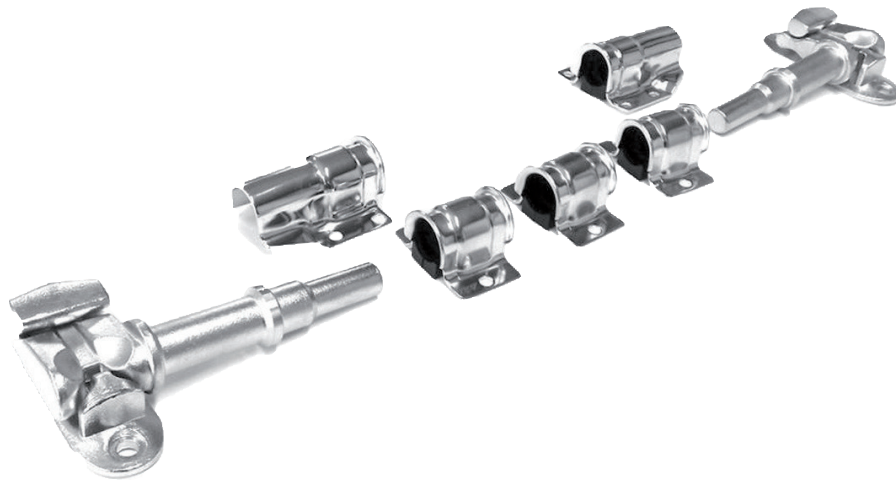
▲ Anti-rack locking gear for Ø27 mm tube
Stainless steel 304 - Mirror polished

39 500 & 39 027

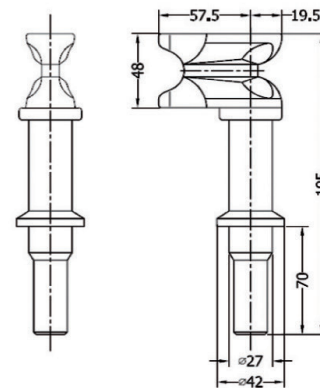


Reference	Description	Weight (kg)	Packaging
39 500	Locking gear Ø27 mm flat handle	0,91	1
39 027	Set for locking gear Ø27 mm	3,82	1
39 401	Cam Ø27 mm	0,99	2
39 301	Keeper Ø27 mm	0,56	2
39 103	Front guide 50 mm	0,15	1
39 101	Front guide 95 mm	0,27	2
39 201	Nylon backplate for 39101	0,01	2
39 203	Nylon backplate for 39103	0,01	1

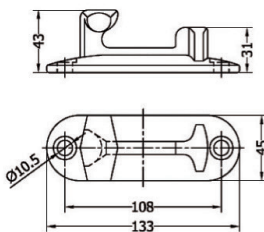
▲ Anti-rack kit for 27 mm tubes - special for peripheral seals
Stainless steel 304 - Mirror polished



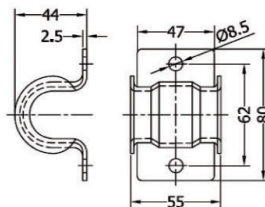
39 102



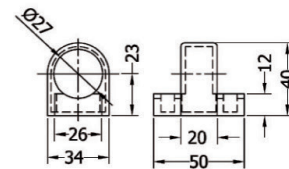
39 402



39 301



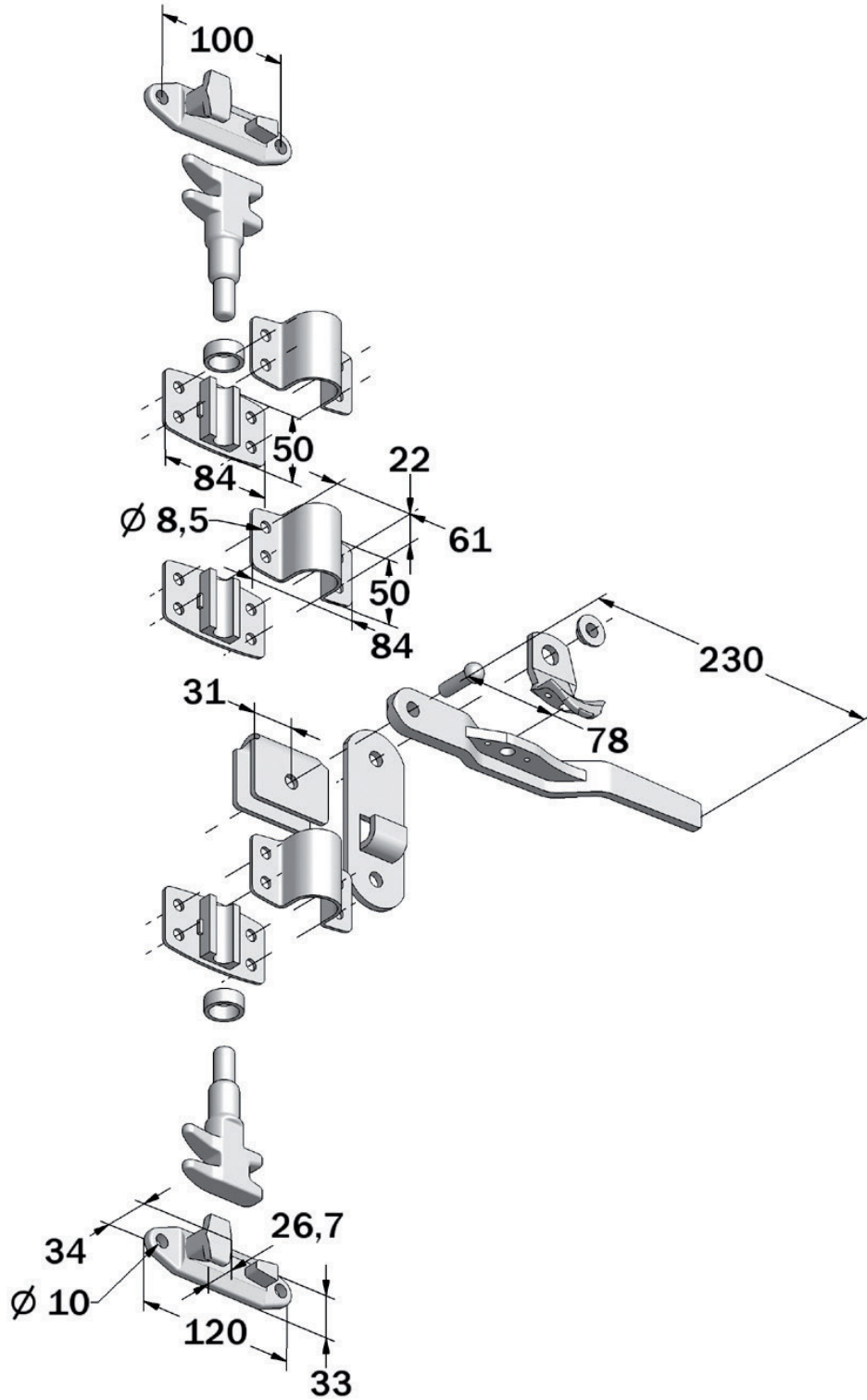
39 103



39 203

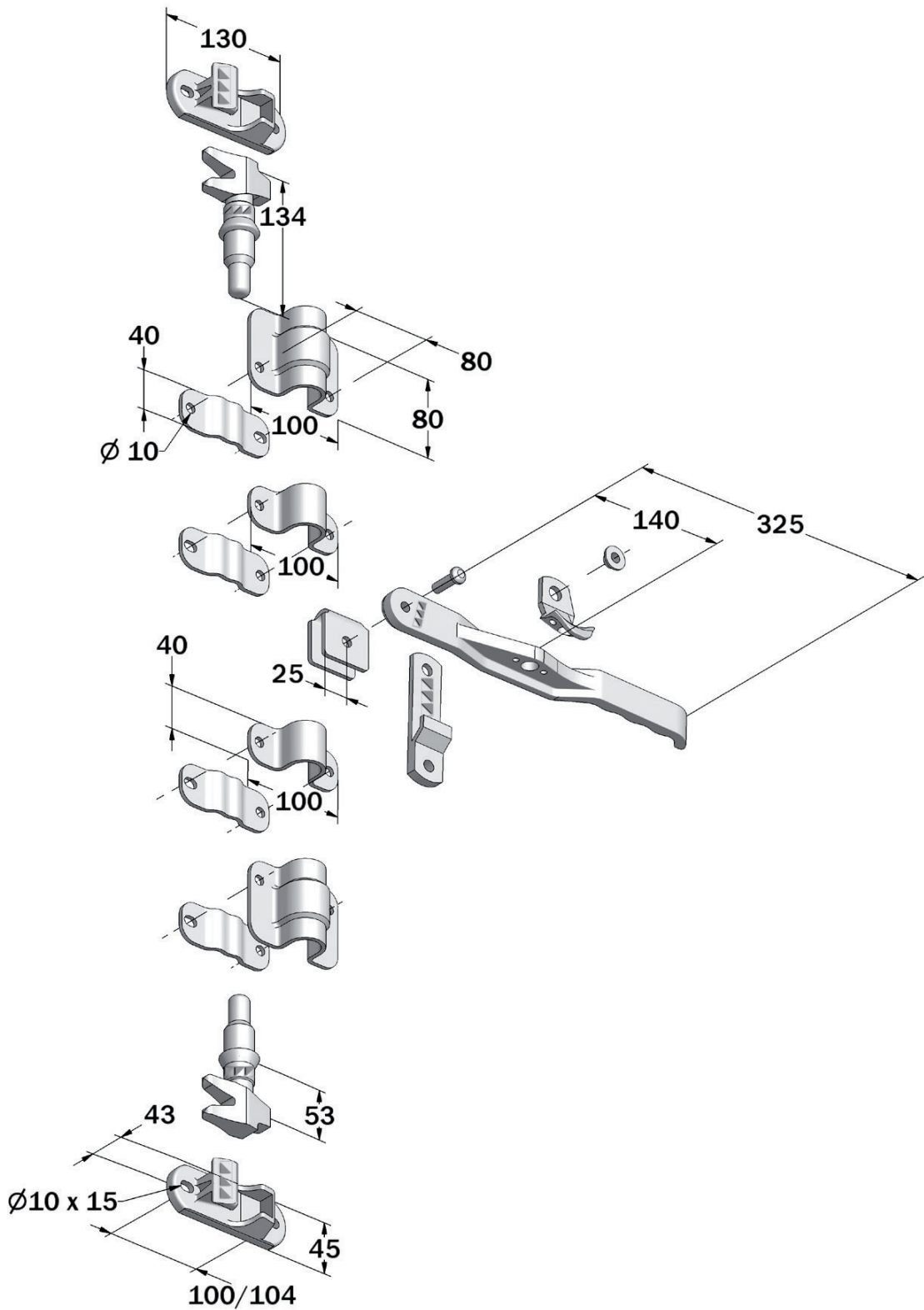
Reference	Description	Weight (kg)
39 127	Kit for 27 mm tube	3,82
39 402	27 mm cam - Ø35 mm	0,99
39 301	27 mm keeper	0,56
39 103	50 mm guide	1,15
39 102	92 mm guide	0,27
39 203	Nylon bush for 39102 and 39103	0,01

▲ Complete locking gear for 15 x 21 tube
 Upper cam becomes lower cam on left locking gear, and vice-versa
 Zinc plated steel



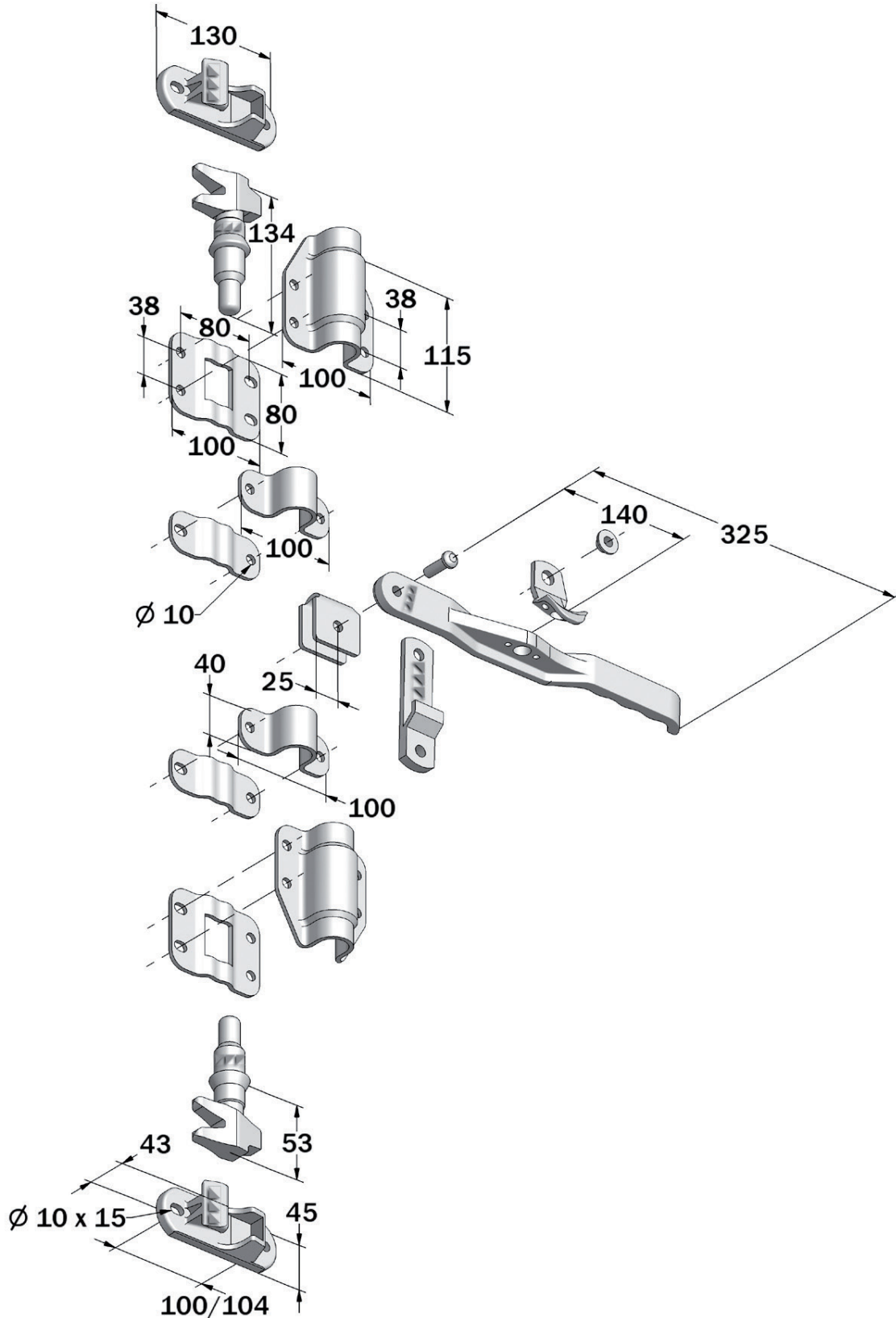
Reference	Weight (kg)
32 500	2,7

▲Complete locking gear for 20 x 27 mm tube



Reference	Material	Weight (kg)
31 500	Self colour steel	4,83
31 550	Zinc plated steel	4,83
31 700	Galvanized steel	4,83

▲ Complete locking gear for 20 x 27 mm tube
Galvanized steel

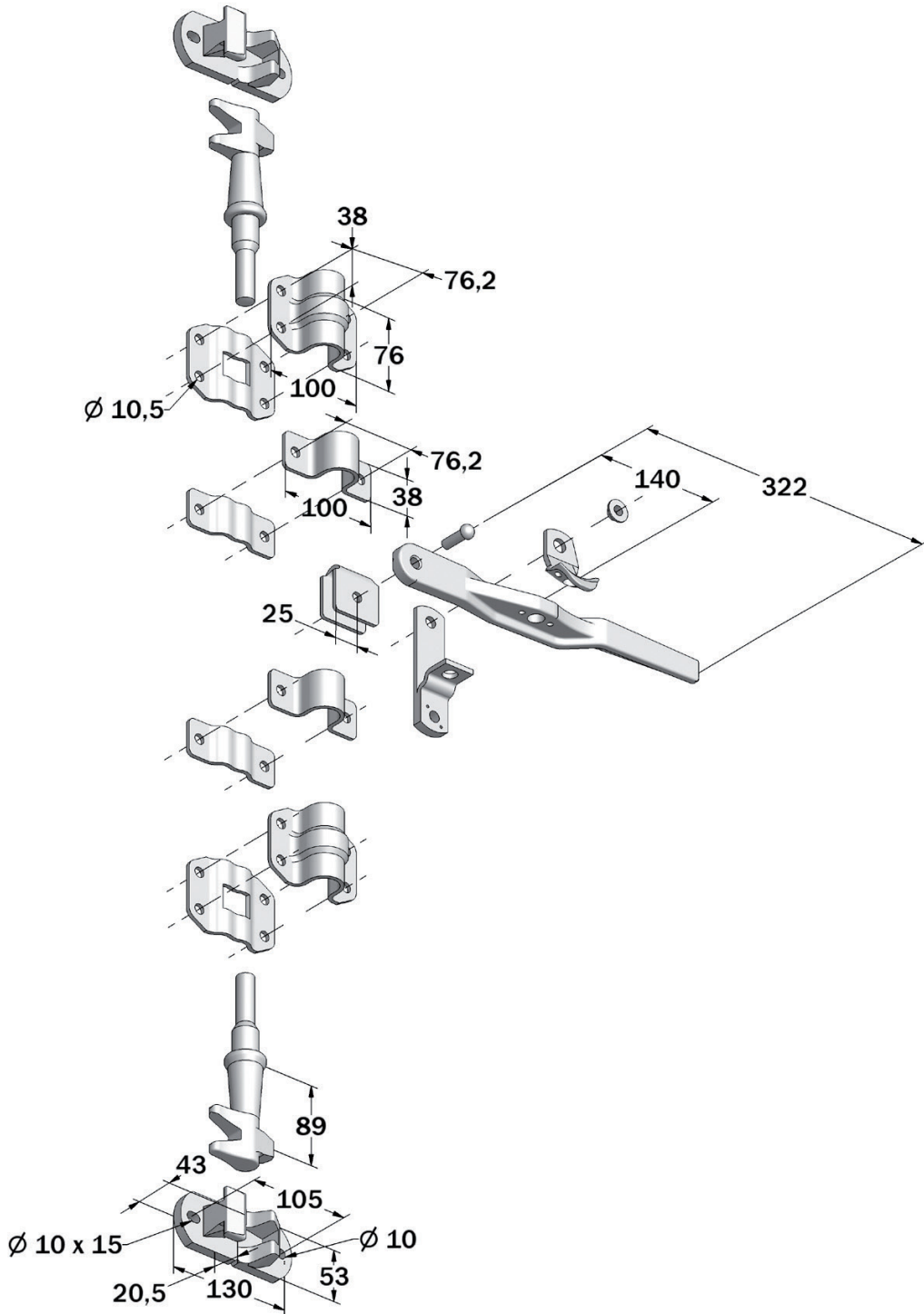


Reference	Weight (kg)
31 750	5,5

C Anti-rack locking gear 20 x 27 mm

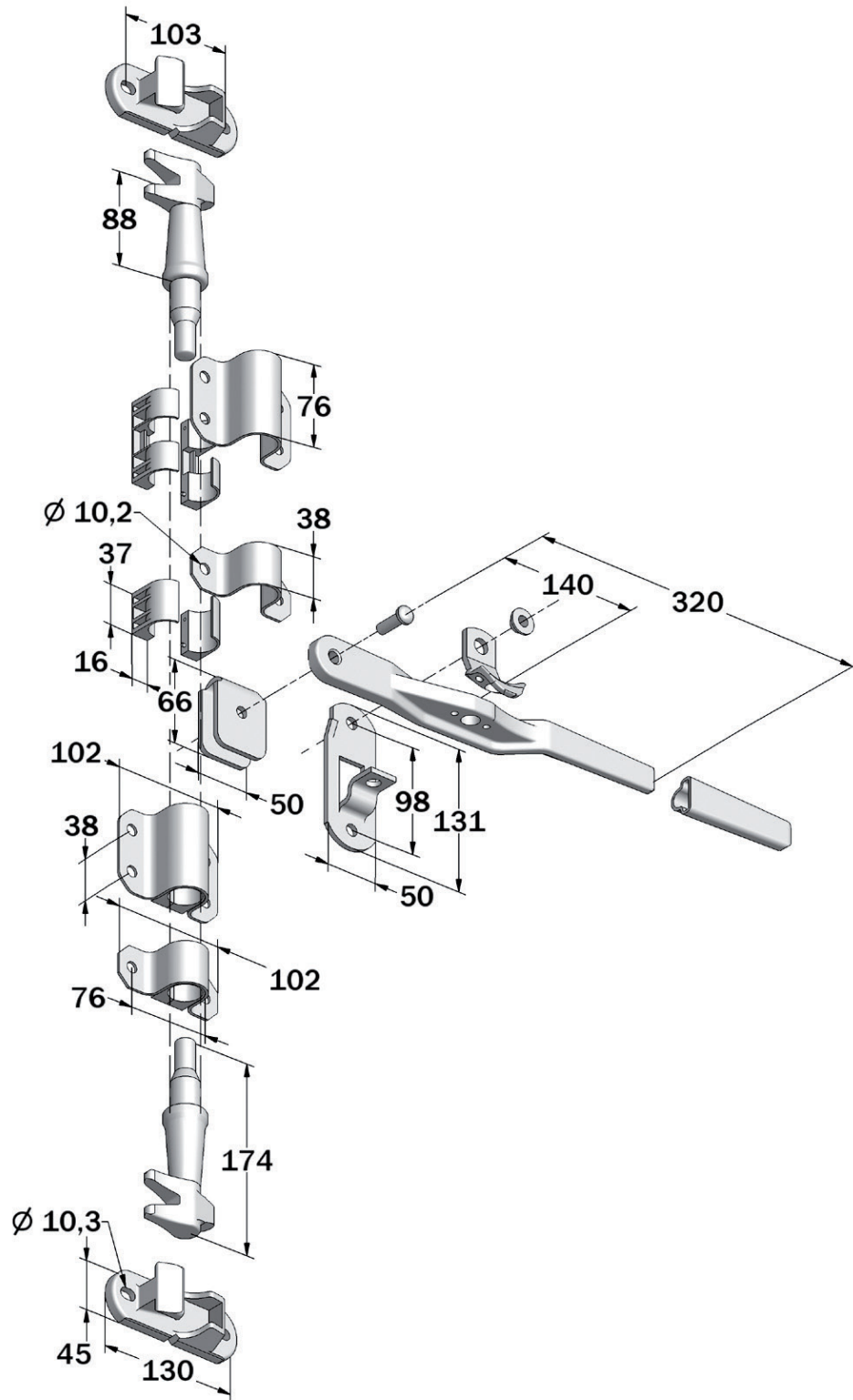


▲ Complete locking gear for 20 x 27 mm tube
Zinc plated steel



Reference	Weight (kg)
31 200	6,04

▲ Complete locking gear for 20 x 27 mm tube
Zinc plated steel



Reference	Weight (kg)
31 220	5,3

C Anti-rack locking gear 20 x 27 mm



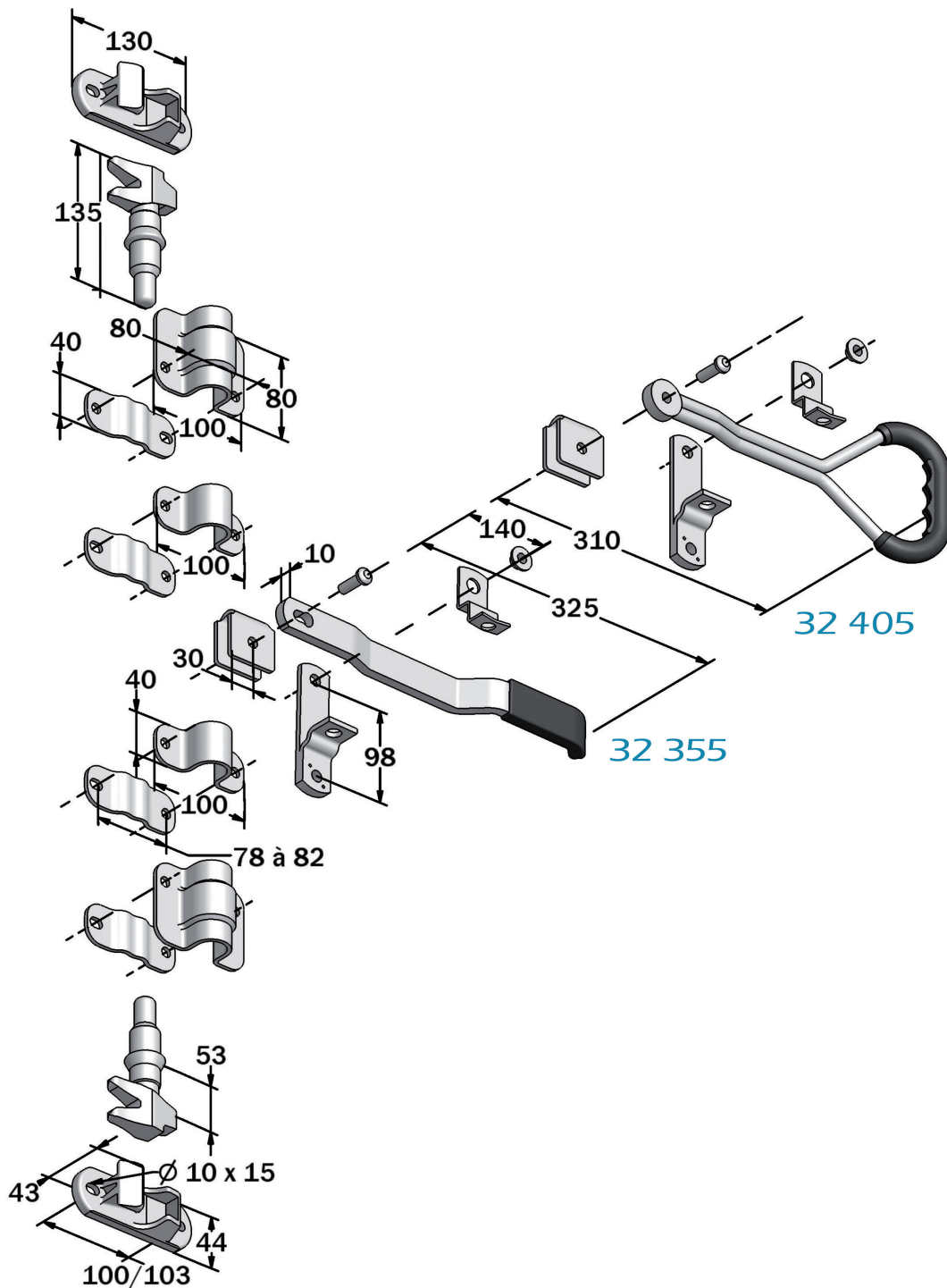
▲ Complete locking gear with 32355 handle
Stainless steel

▲ Complete locking gear with 32405 handle
Stainless steel

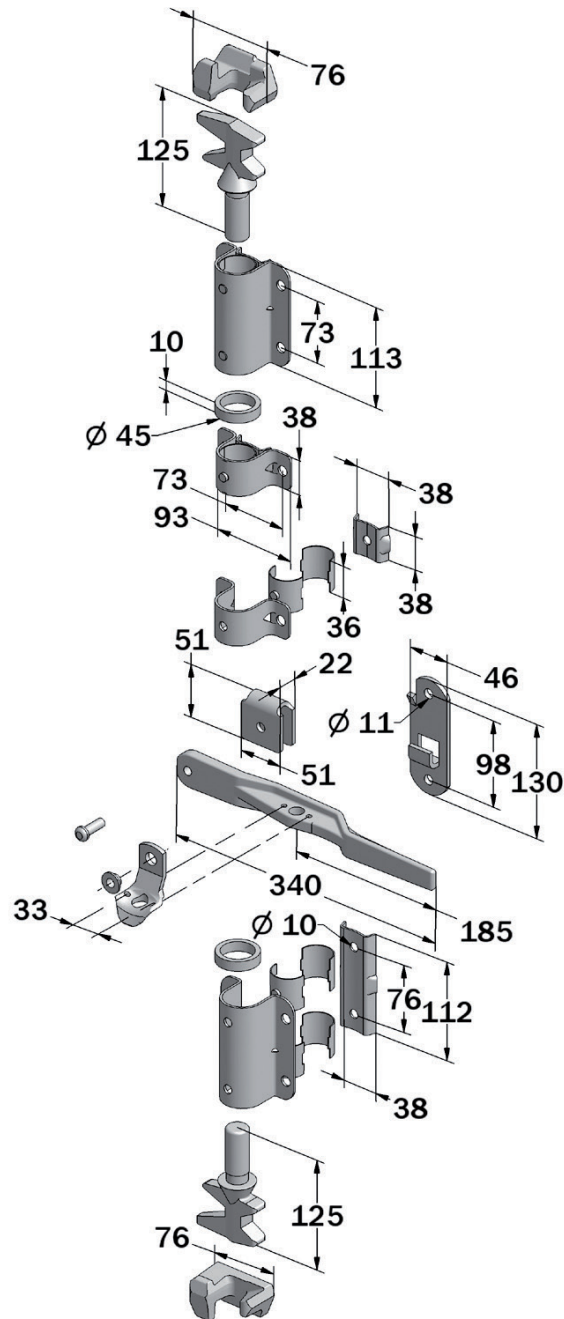


Reference	Weight (kg)
32 350	4,82

Reference	Weight (kg)
32 400	4,82

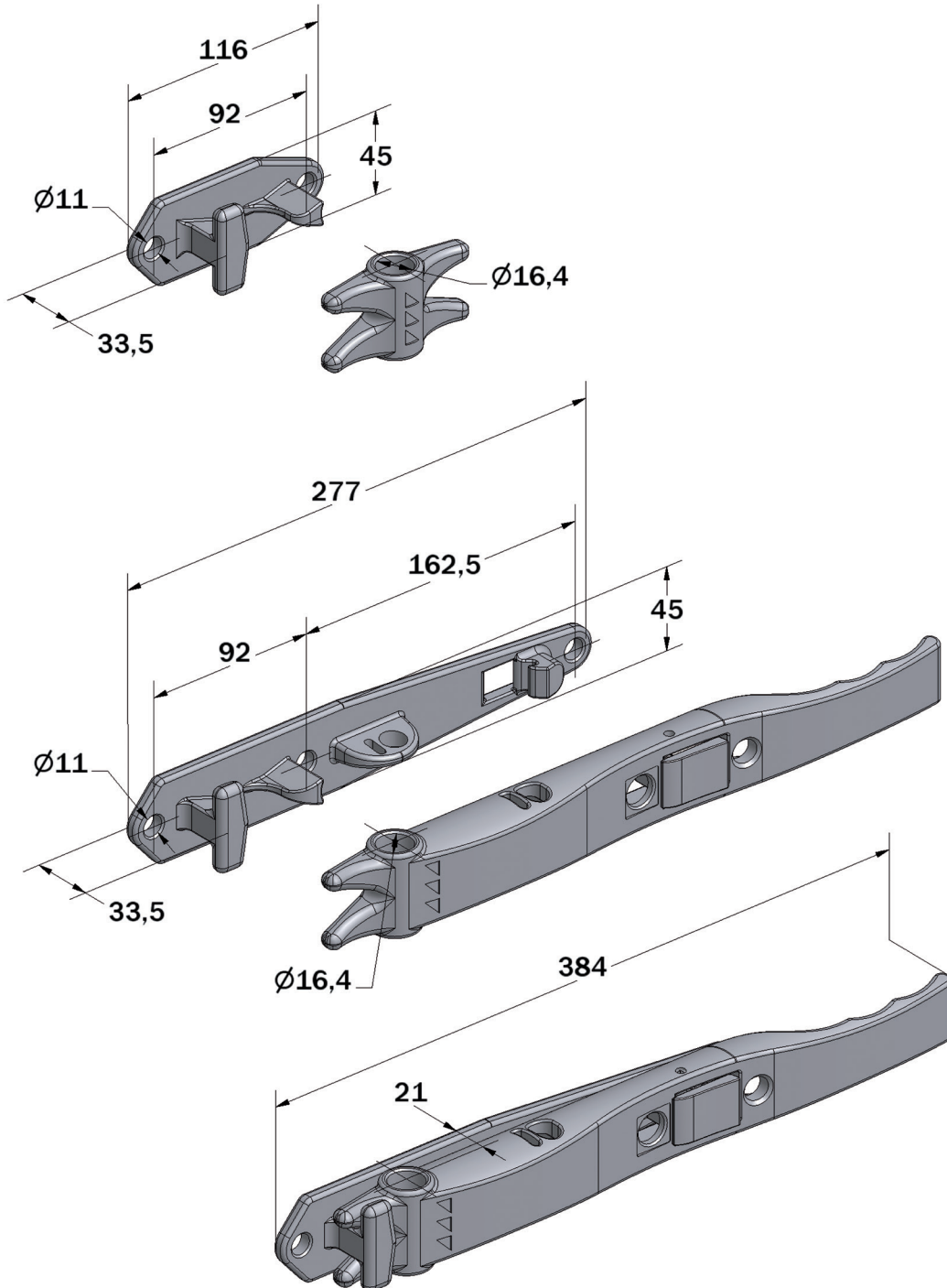


▲ Complete locking gear for 26 x 34 tube
 Upper cam becomes lower cam on left locking gear, and vice-versa
 Zinc plated steel

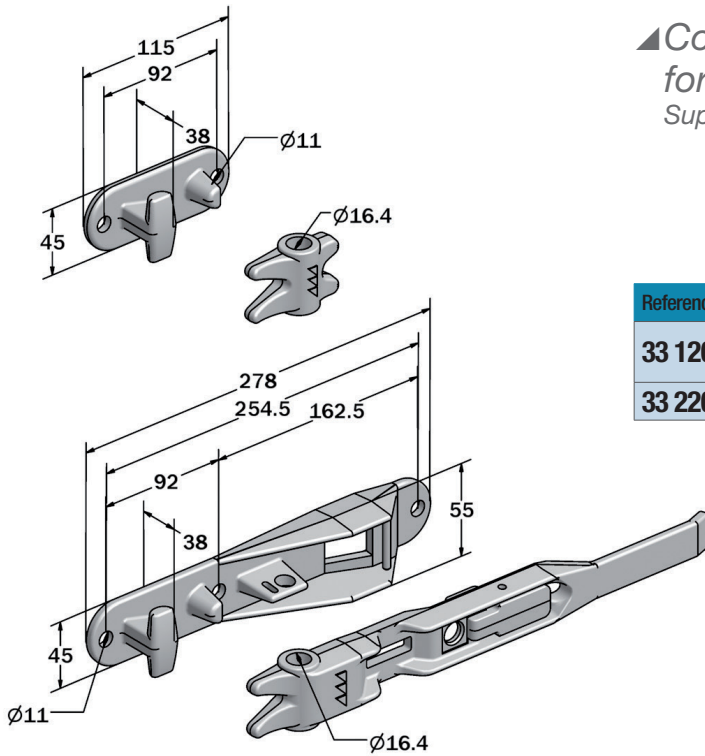


Reference	Weight (kg)
30 900	4,9

▲ Complete locking gear for 16 mm tube
Supplied without key barrel

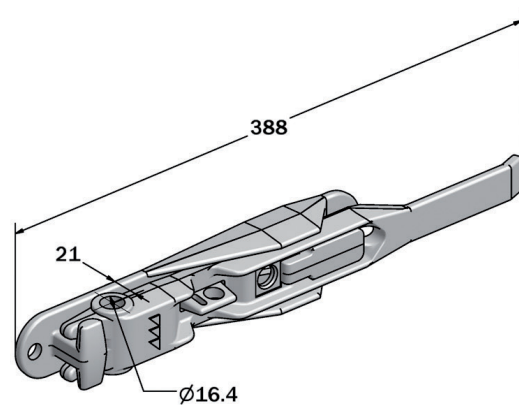


Reference	Material
33 500	Zinc plated steel
33 600	Galvanized steel

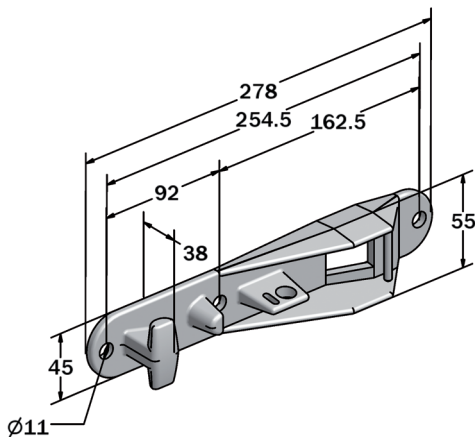


▲ Complete locking gear
for 16 mm tube
Supplied without lock.

Reference	Material	Weight (kg)
33 120	Galvanized steel	2,94
33 220	Zinc plated steel	2,94

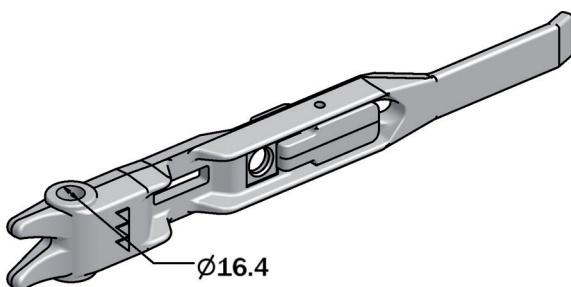


▲ Keeper alone for 33120 and 33220



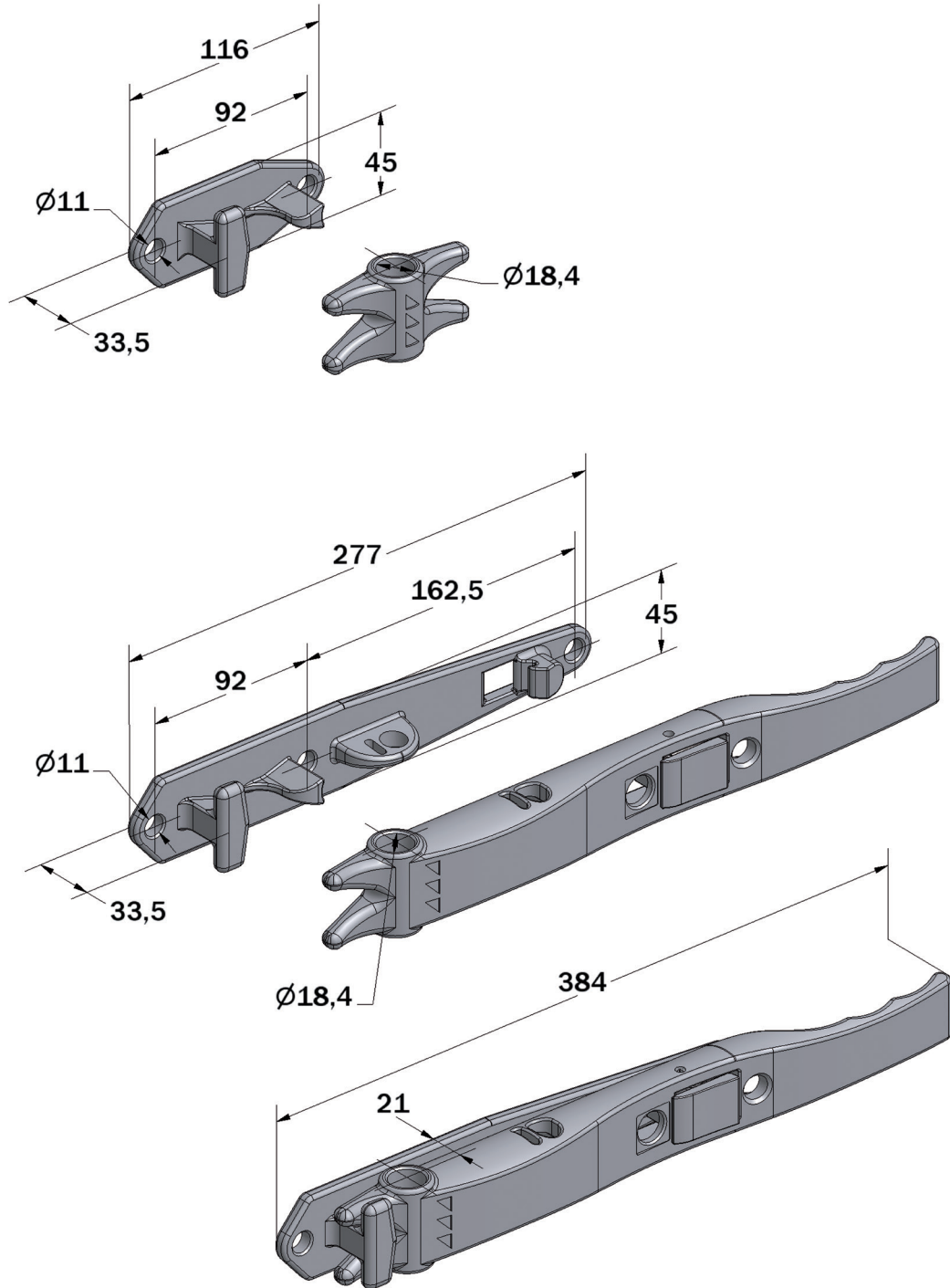
Reference	Material
33 108	Galvanized steel
33 208	Zinc plated steel

▲ Handle alone for 33120 and 33220

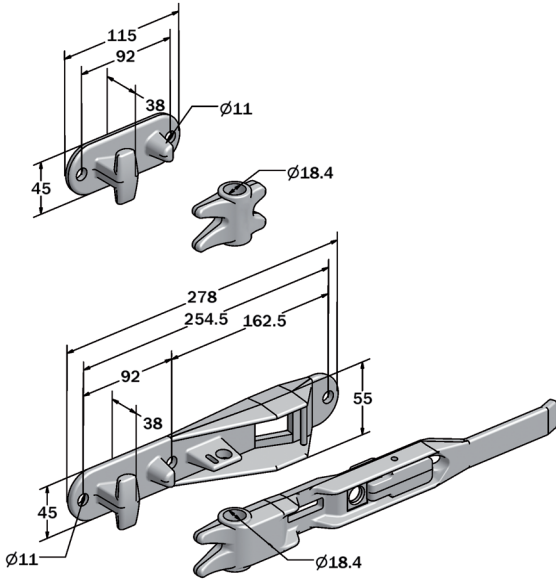


Reference	Material	Weight (kg)
33 125	Galvanized steel	1,17
33 225	Zinc plated steel	1,17

▲ Complete locking gear for 18 mm tube
Supplied without key barrel



Reference	Material
33 300	Zinc plated steel
33 400	Galvanized steel

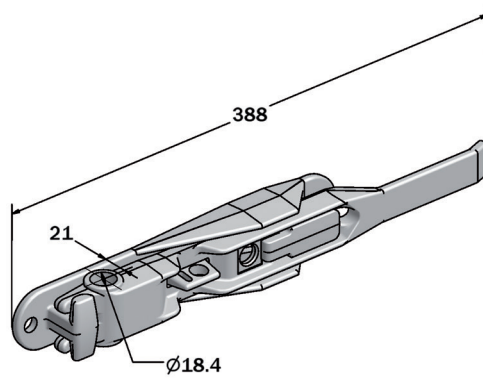


▲ Complete locking gear for tube Ø 18 mm

Supplied without lock. Option : can supply key barrel. Contact us.

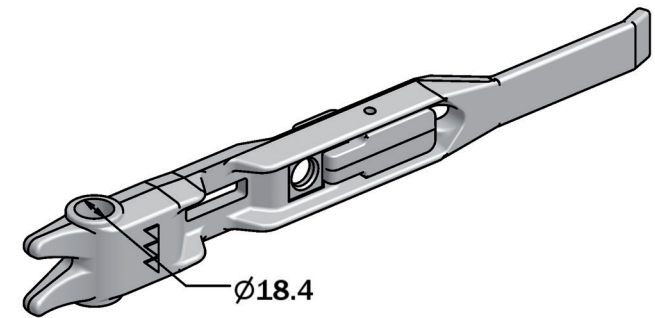
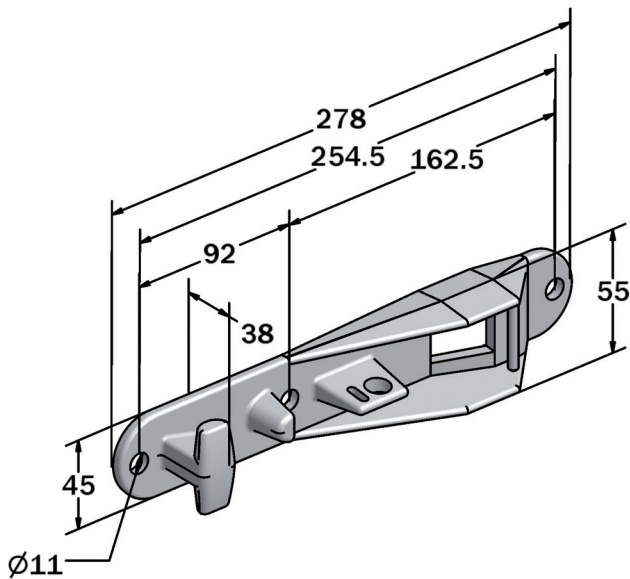


Reference	Material	Weight (kg)
33 200	Zinc plated steel	2,30
33 100	Galvanized steel	2,30



▲ Keeper alone for 33200 and 33100

▲ Handle alone for 33100 and 33200



Reference	Material	Weight (kg)
33 105	Galvanized steel	1,17
33 205	Zinc plated steel	1,17

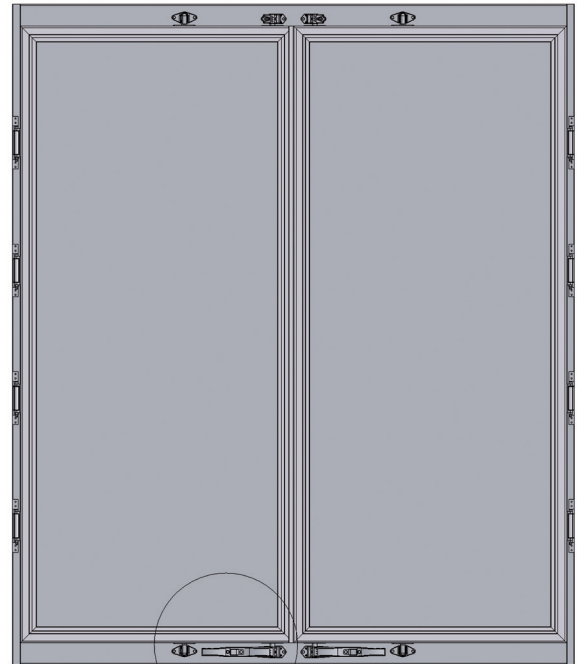
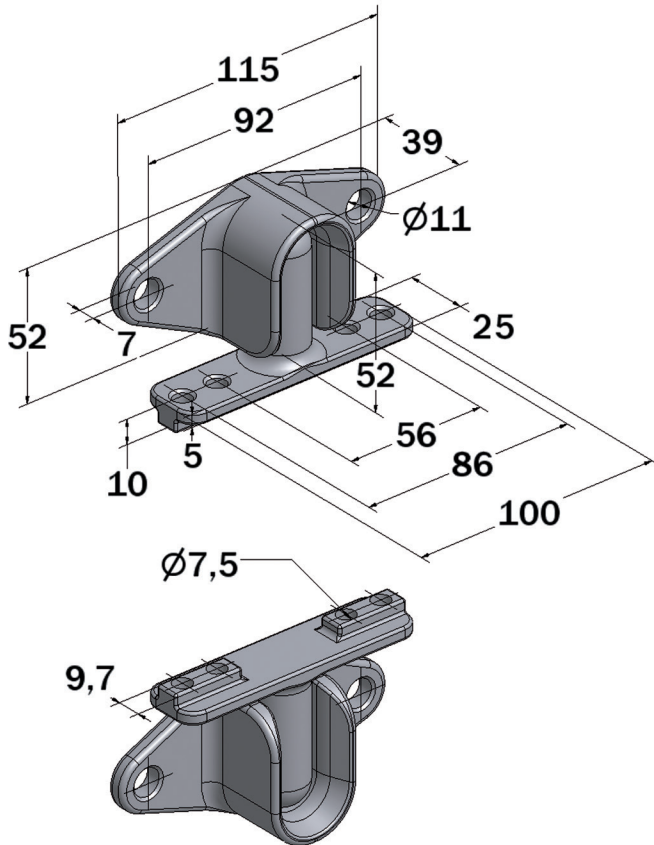
▲ Rod 18 mm Zinc plated steel

Reference	Material	Weight (kg)
33 108	Galvanized steel	1,12
33 208	Zinc plated steel	1,12

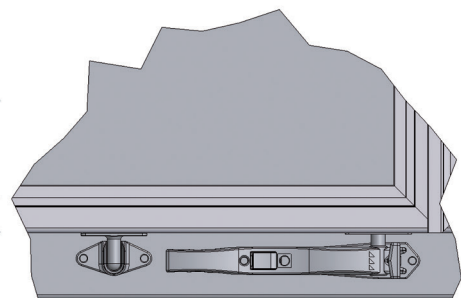
Reference	Length (mm)	Weight (g/m)
33 180	2920	1980
33 185	3420	1980

▲Anti rack system

2 sets pack
Galvanized steel

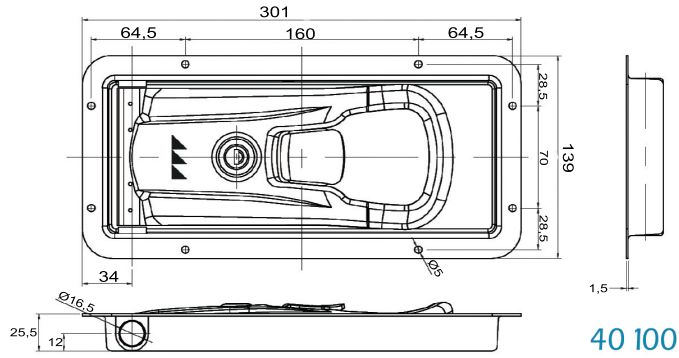


A (0,15 : 1)



Reference	Weight (kg)
33 910	1,27

▲Recessed locking gear 16 mm Stainless steel

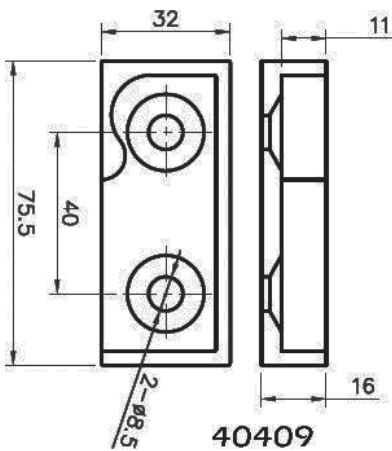


40 100

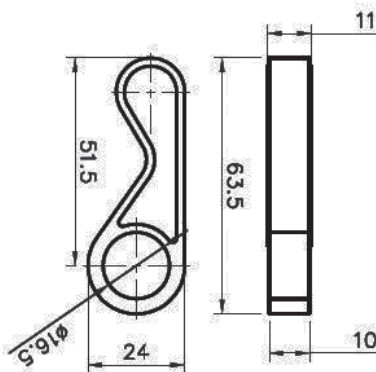
Reference	Description	Weight (kg)	Packaging
40 100	Complete recessed lock	1,60	1
40 010	Recessed lock alone	1,18	1

▲Set for recessed locking gear 16 mm

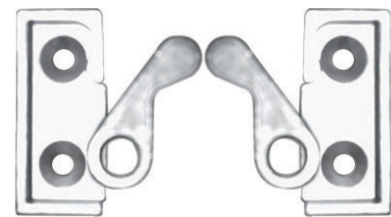
Cam and Keeper
Stainless steel



40409



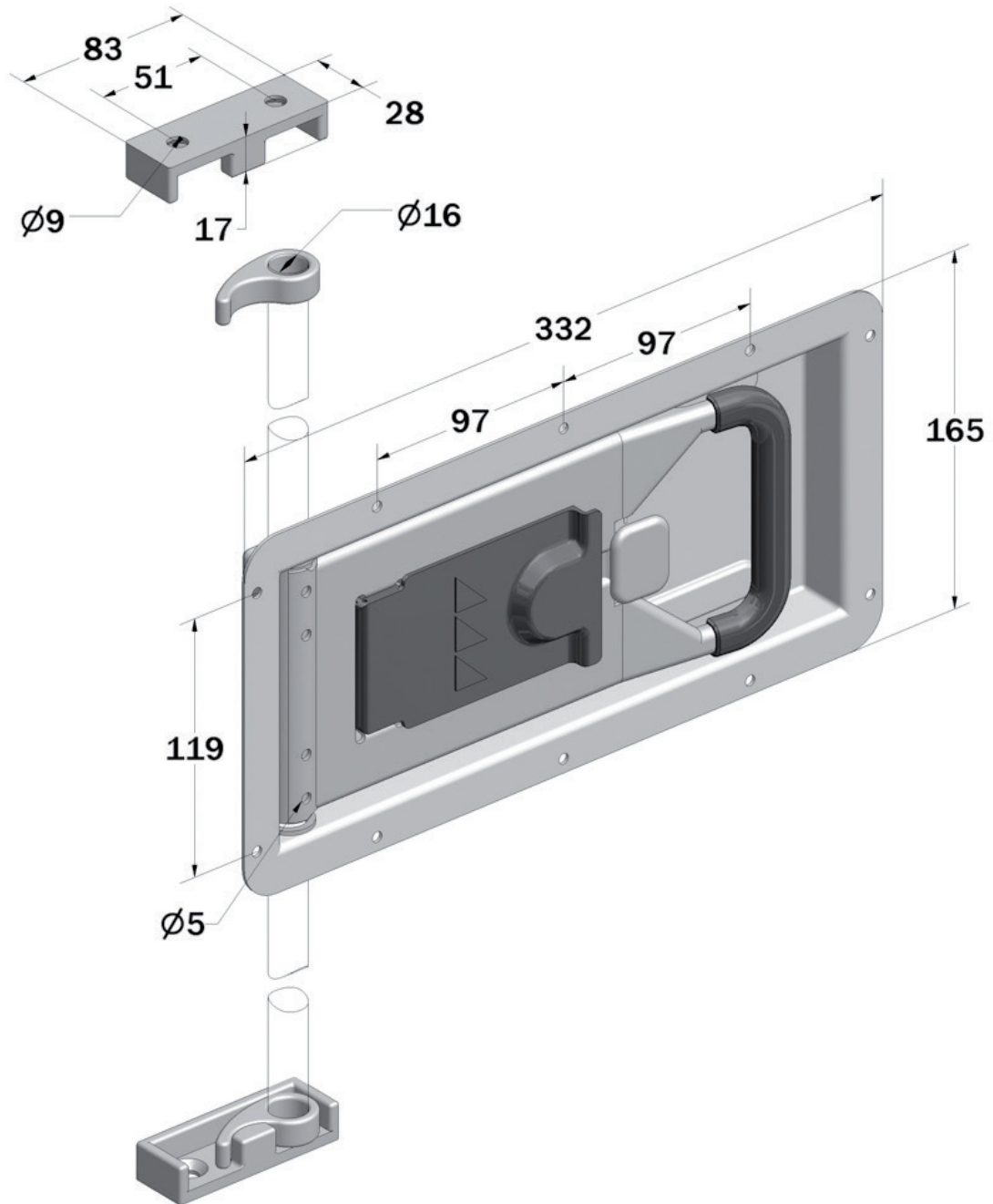
40306



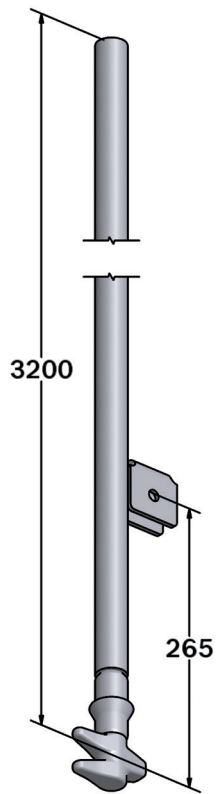
Reference	Description	Weight (kg)	Packaging
40 016	Complete set	0,42	1
40 409	Cam	0,07	2
40 306	Keeper	0,14	2

▲ Complete recessed locking gear

Supplied without key barrel. Option: can supply key barrel. Contact us



Reference	Material	Weight (kg)
38 700	Zinc plated steel	1,83
37 300	Stainless steel	1,74

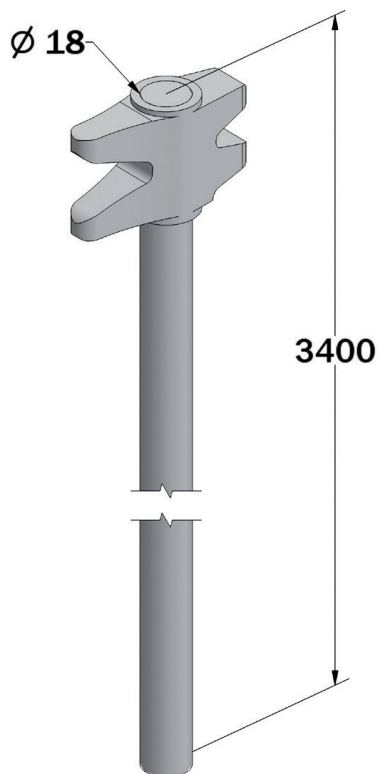


▲ Tube 21 x 27 with welded lower cam and handle bracket

Acier galvanisé
Galvanized steel



Reference	Description	Weight (kg)
31 710	For Locking gear 31 700 / 31 750	6,32
31 210	For Locking gear 31 200	6,52



▲ Rod 18 mm for locking gear 33200 and 33100

Zinc plated steel

Reference	With welded	Weight (kg)
33 109	Upper right cam	7,1
33 106	Upper left cam	7,1