



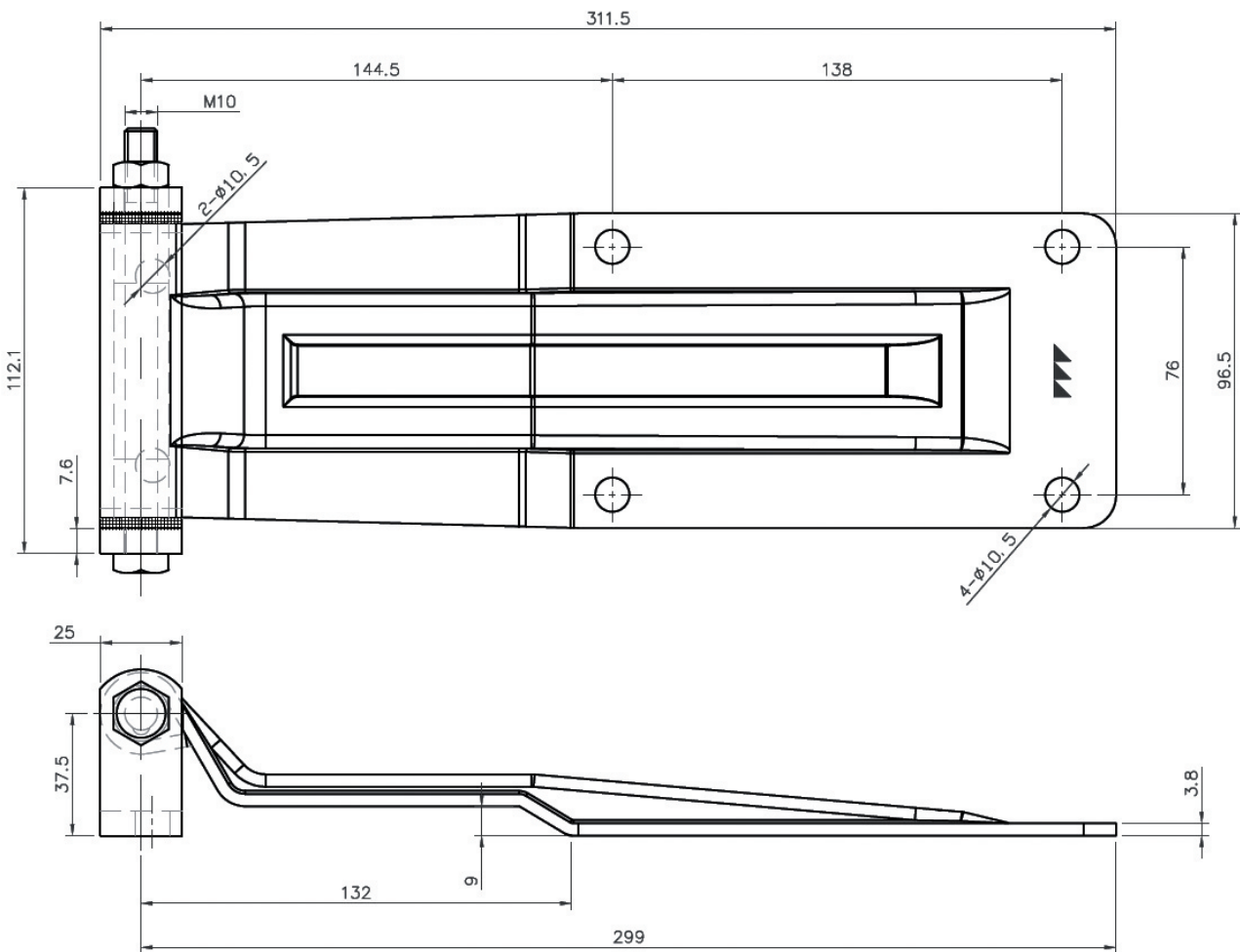
<i>Stainless steel hinges</i> .....	125
<i>Hinges</i> .....	129
<i>Aluminium hinges</i> .....	137
<i>Double joint hinges</i> .....	138
<i>Hinges</i> .....	139
<i>Aluminium hinges</i> .....	141
<i>3 and 5 knots hinges</i> .....	145
<i>5 knots hinges with grease nipples</i> .....	146
<i>Foil hinges</i> .....	147



# HINGES



▲Hinge with bracket  
Stainless steel 304 - Mirror polished

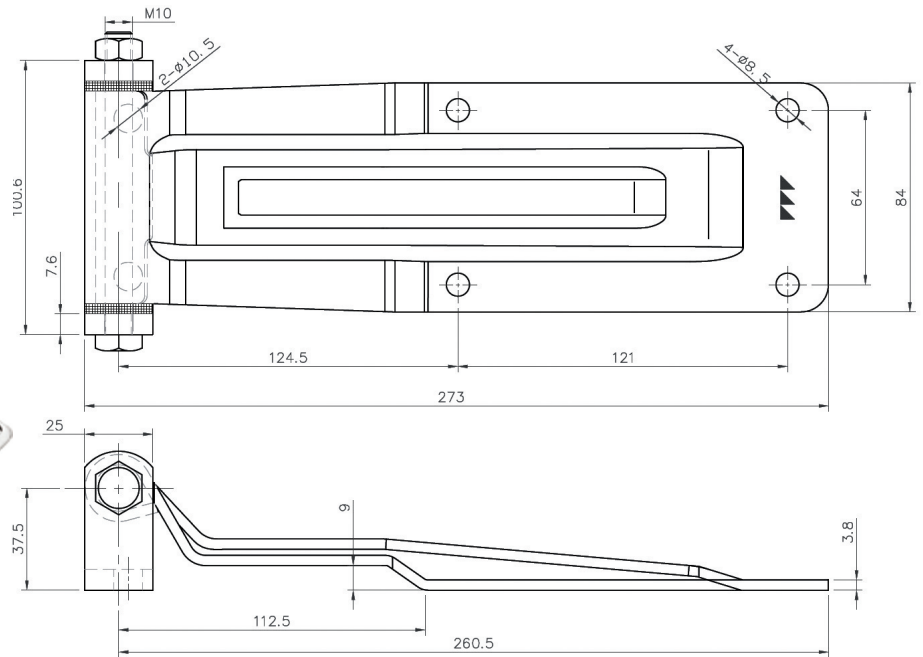


Reference	Dimensions (mm)	Weight (kg)
<b>117 700</b>	311 x 96	1,40

# D *Stainless steel hinge*

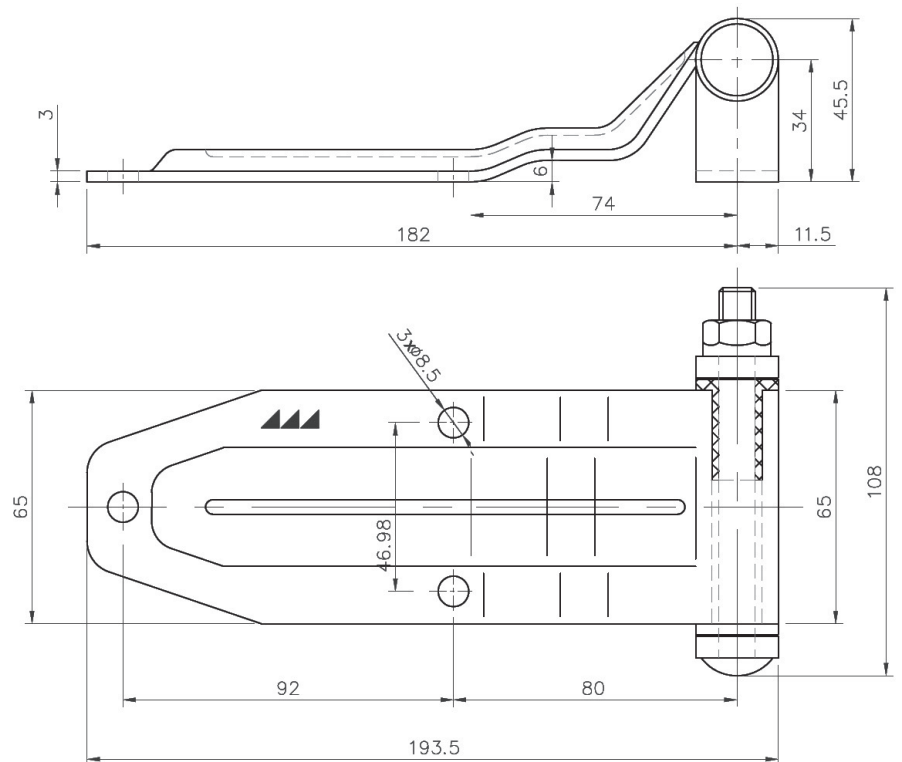


## ▲ *Hinge with bracket* Stainless steel 304 - Mirror polished



Reference	Dimensions (mm)	Weight (kg)
117 650	273 x 84	1,15

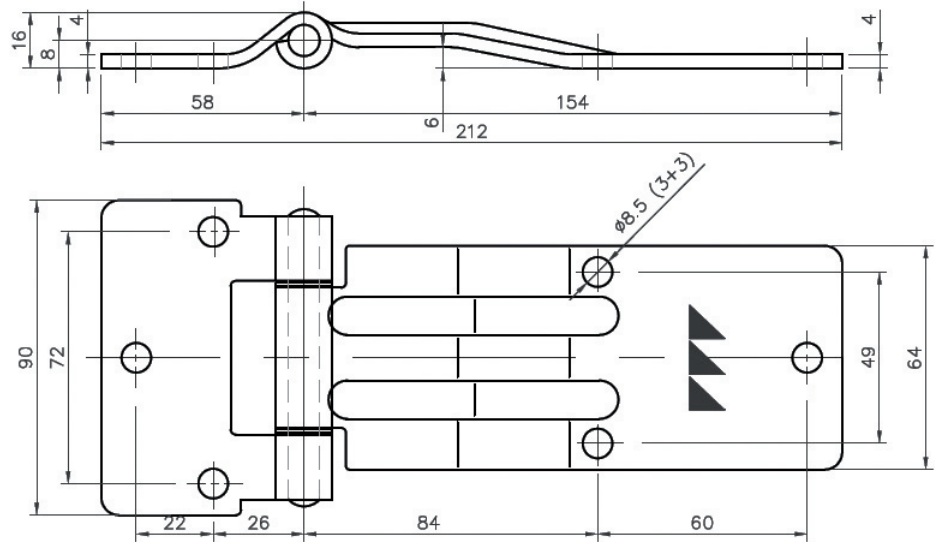
## ▲ *Hinge with bracket* Stainless steel 304 - Mirror polished



Reference	Dimensions (mm)	Weight (kg)
117 600	193 x 65	0,58

## ▲Hinge

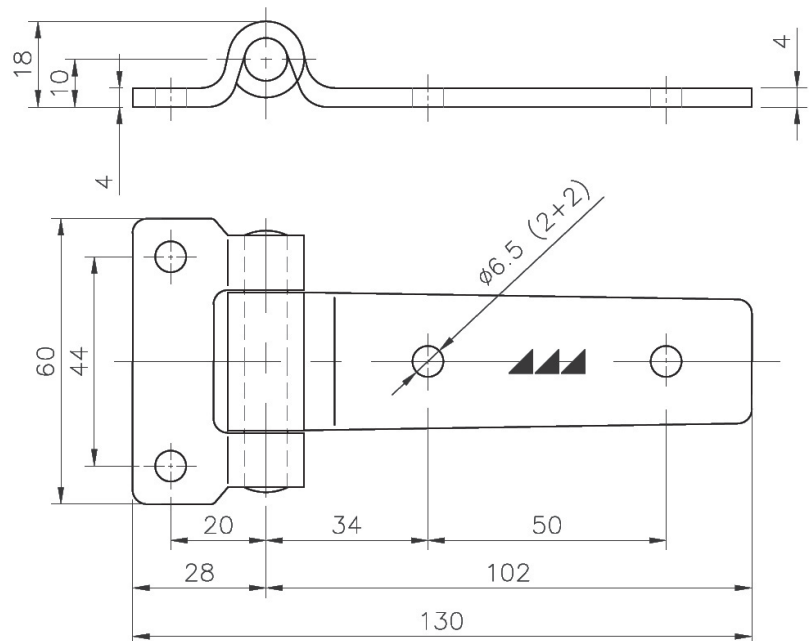
Stainless steel 304 - Mirror polished



Reference	Dimensions (mm)	Weight (kg)
<b>117 500</b>	212 x 64	0,50

## ▲Hinge

Stainless steel 304 - Mirror polished



Reference	Dimensions (mm)	Weight (kg)
<b>117 400</b>	130 x 60	0,20

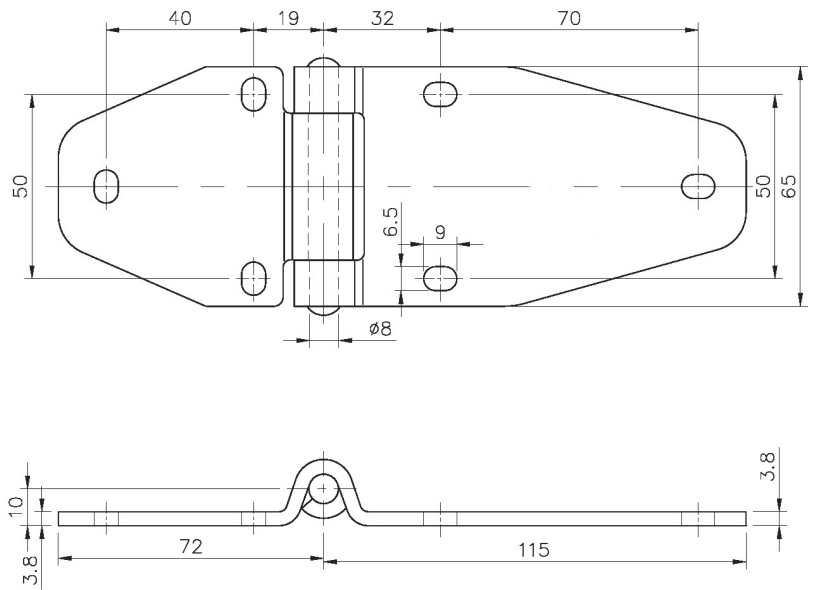


# D Stainless steel hinge



## ▲Hinge

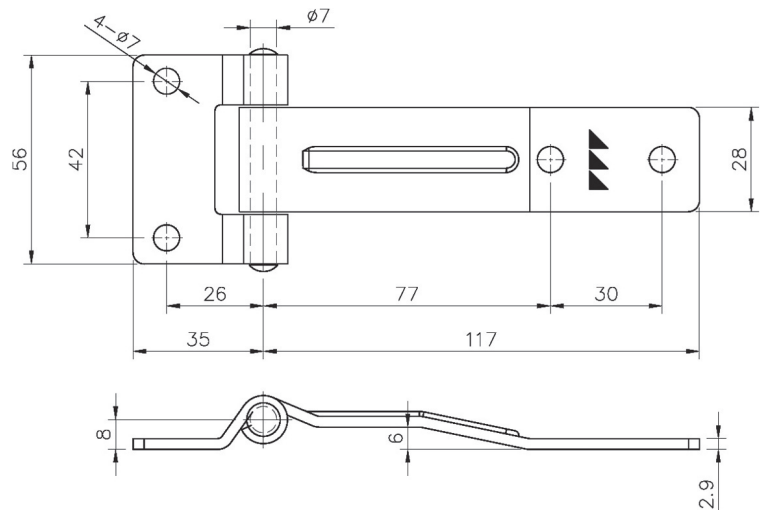
Stainless steel 304 - mirror polished



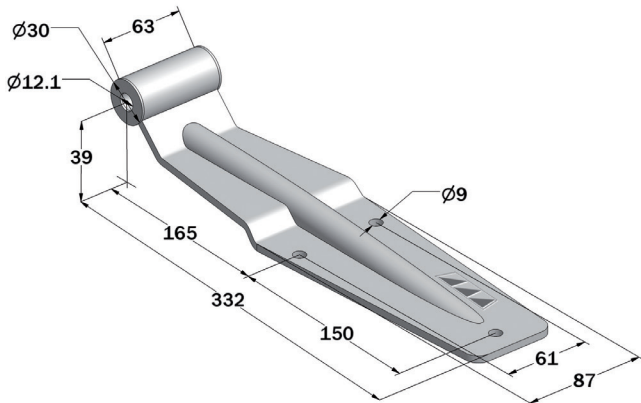
Reference	Dimensions (mm)	Weight (kg)
117 300	187 x 65	0,37

## ▲Hinge

Stainless steel 304 - mirror polished



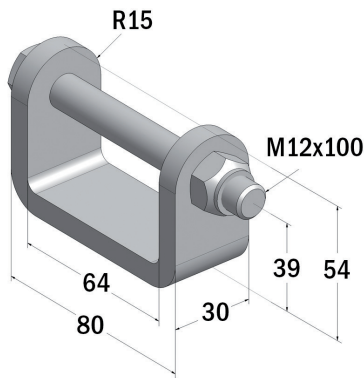
Reference	Dimensions (mm)	Weight (kg)
117 200	152 x 56	0,16



### ▲Hinge A

In steel with double protection bichromated + polyester powder coating and 190°C burning. Resistance to salt fog : 500 hours

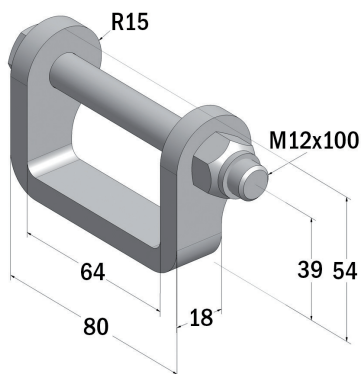
Reference	Colour	Diam mm	Thickness (mm)	Weight (kg)
<b>113 600</b>	Grey	9	5	1,1
<b>113 650</b>	White	10,5	5	1,09



### ▲Weld-on bracket A with pin

Self colour steel

Reference	Weight (kg)
<b>113 802</b>	0,39



### ▲Weld-on bracket A with pin

Self colour steel

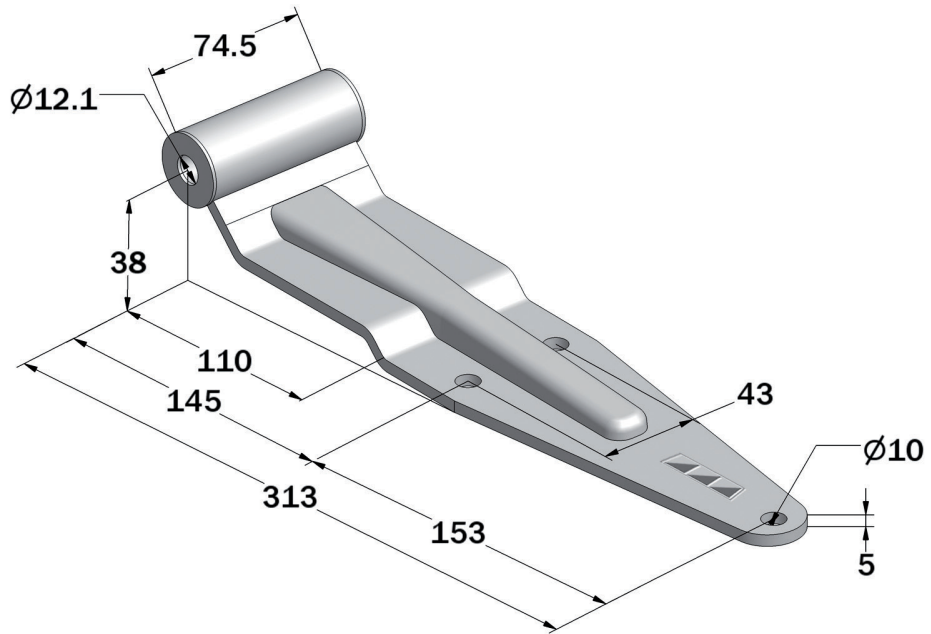
Reference	Weight (kg)
<b>113 803</b>	0,31

### ▲Bush for 113650 and 113600



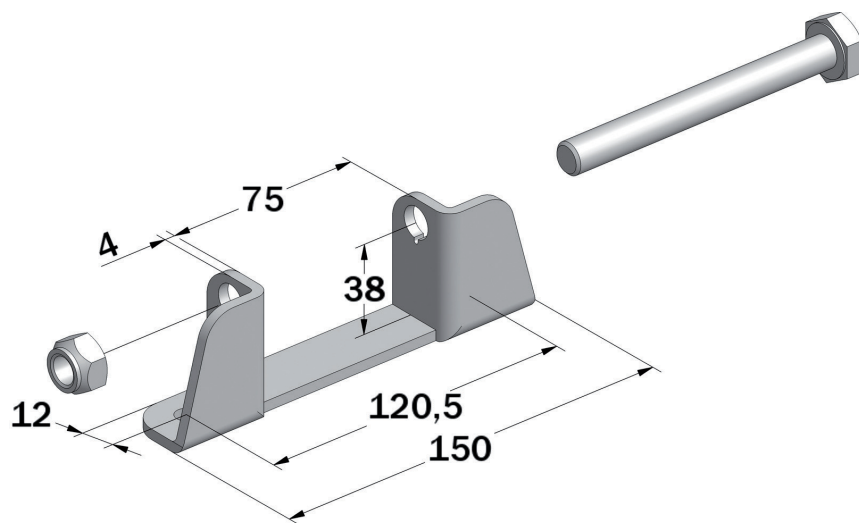
Reference
<b>113 665</b>

## ▲Hinge B



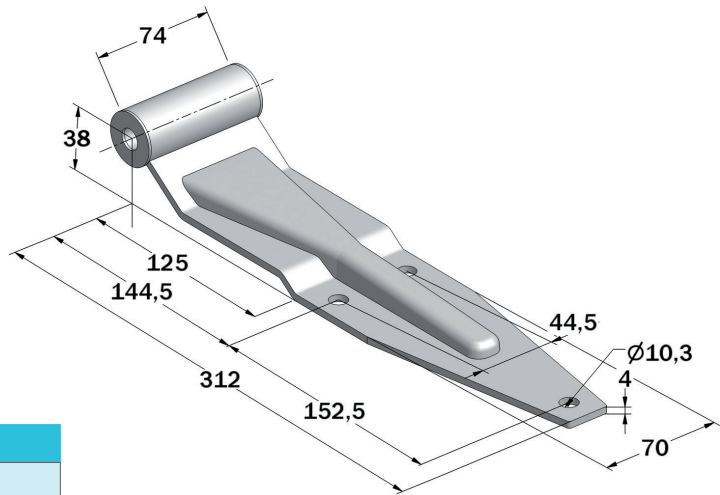
Reference	Material	Diam mm	Weight (kg)
<b>113 950</b>	Zinc plated steel	10	0,85
<b>113 953</b>	Stainless steel	10	0,81

## ▲Bolt-on bracket B with pin Stainless steel



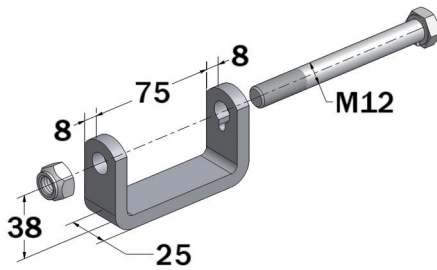
Reference	Weight (kg)
<b>113 966</b>	0,36

▲ **Hinge C**  
Stainless steel

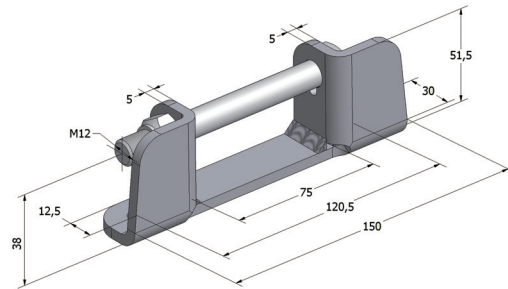


Reference	Weight (kg)
<b>113 442</b>	0,66

▲ **Weld-on bracket C with pin**  
Self colour steel



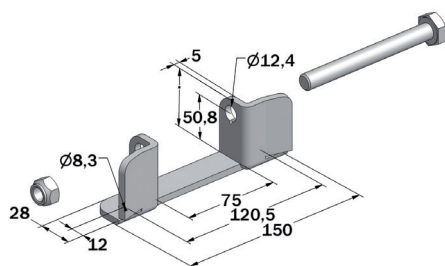
▲ **Bolt-on bracket C with pin**  
Zinc plated steel



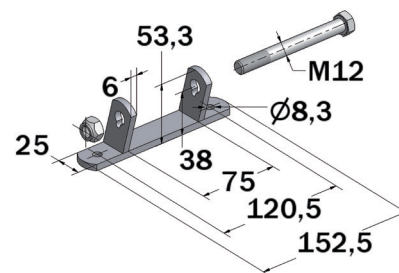
Reference	Weight (kg)
<b>113 982</b>	0,23

Reference	Weight (kg)
<b>113 987</b>	0,31

▲ **Bolt-on bracket C with pin**  
Zinc plated steel



▲ **Bolt-on bracket C with pin**  
Stainless steel

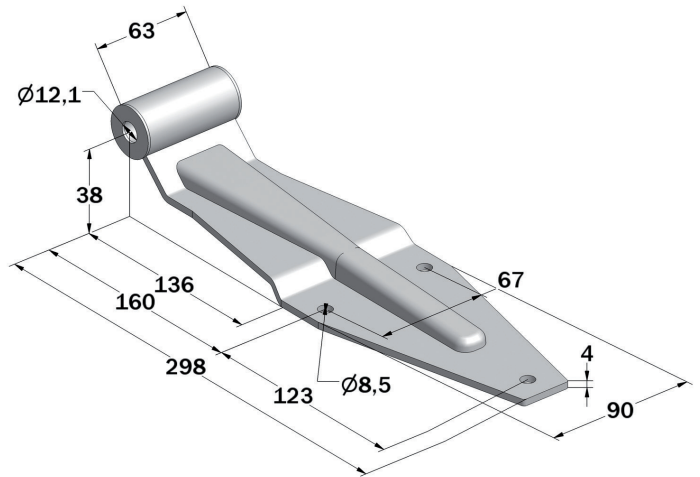


Reference	Weight (kg)
<b>113 990</b>	0,29

Reference	Weight (kg)
<b>113 993</b>	0,26

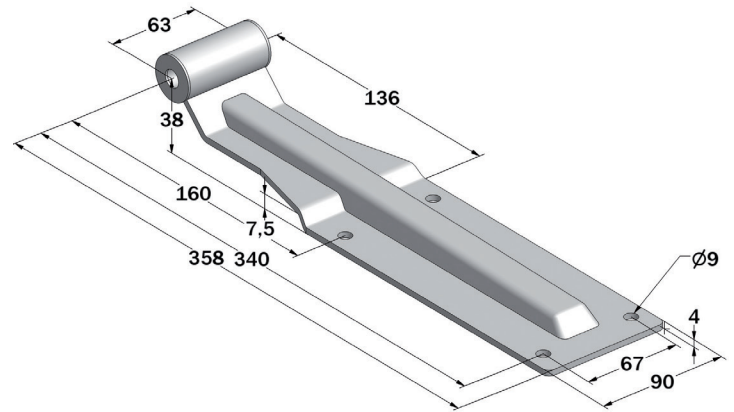
## ▲Hinge D Zinc plated steel

Reference	Weight (kg)
<b>113 700</b>	0,75

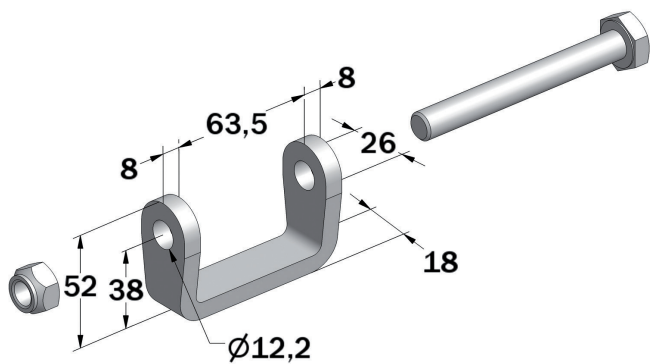


## ▲Hinge D Zinc plated steel

Reference	Weight (kg)
<b>113 800</b>	1,06

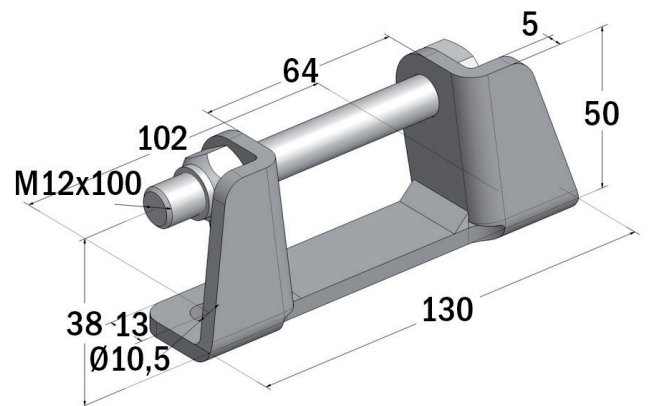


## ▲Bolt-on bracket D with pin Zinc plated steel



Reference	Weight (kg)
<b>113 801</b>	0,28

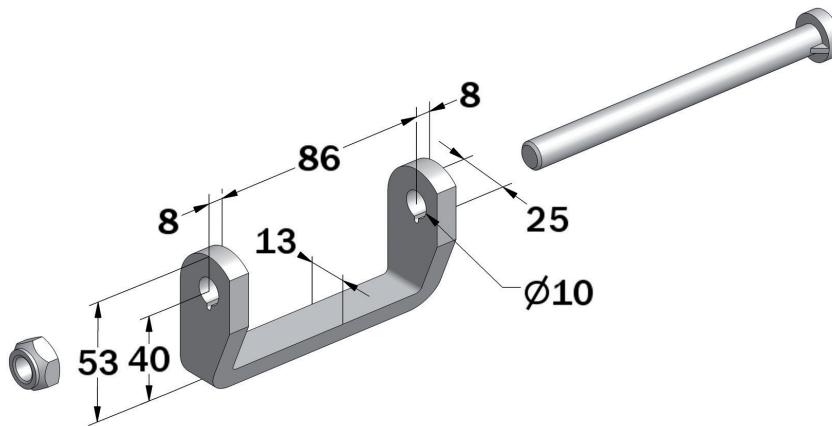
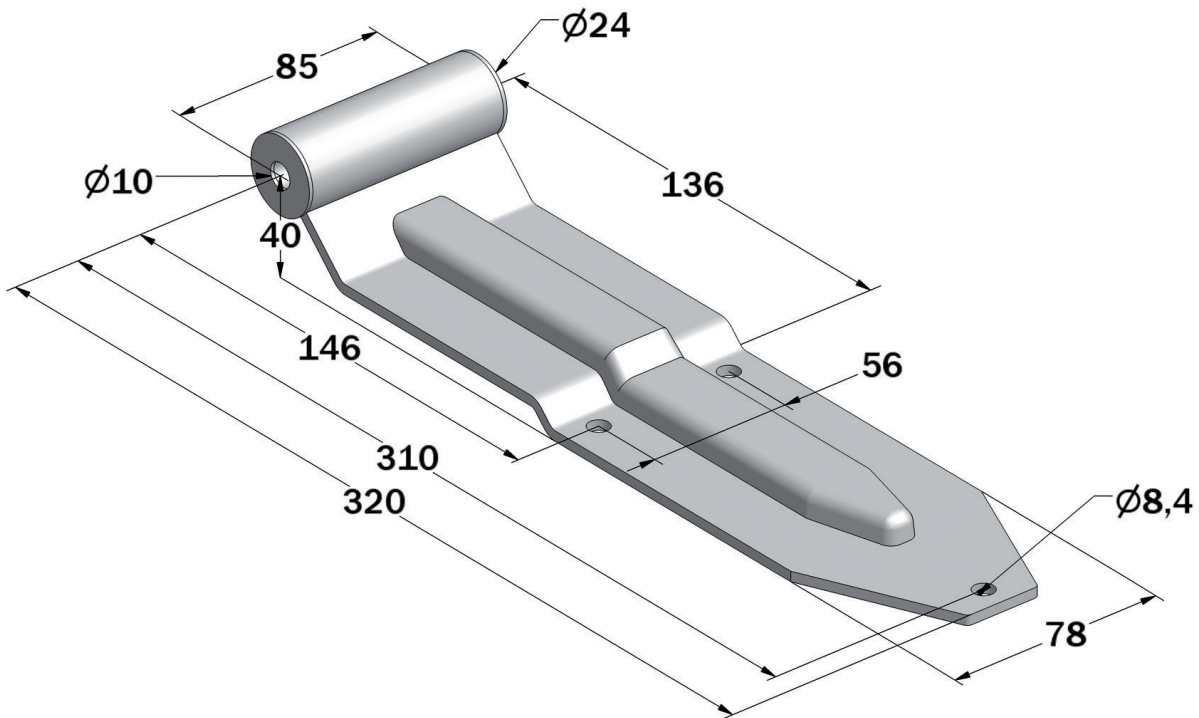
## ▲Bolt-on bracket D with pin Zinc plated



Reference	Weight (kg)
<b>113 804</b>	0,4

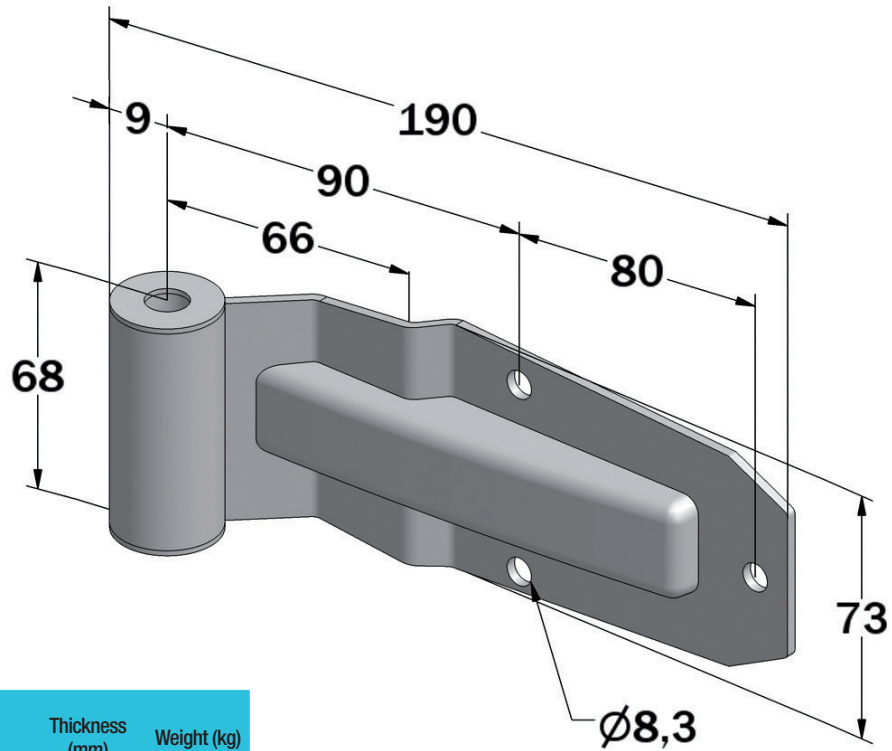


▲Hinge with bracket - thickness 5 mm



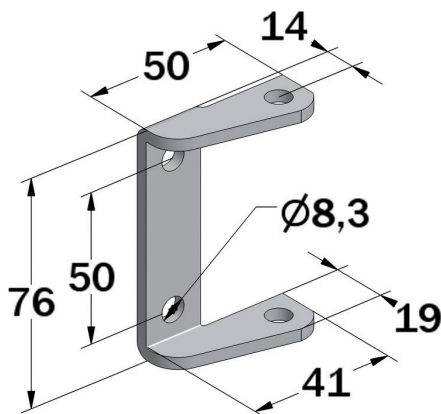
Reference	Material	Weight (kg)
117 150	Stainless steel	1,43
127 150	Zinc plated steel	1,39

## ▲Hinge E



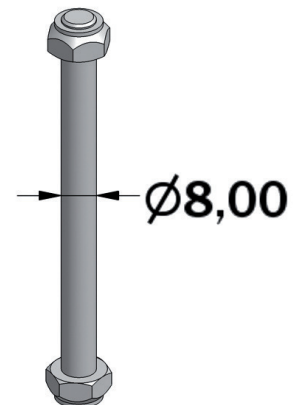
Reference	Material	Thickness (mm)	Weight (kg)
<b>117 000</b>	<i>Stainless steel</i>	3	0,36
<b>127 000</b>	<i>Zinc plated steel</i>	3	0,36

## ▲Bracket E



Reference	Material	Thickness (mm)	Weight (kg)
<b>117 001</b>	<i>Stainless steel</i>	4	0,09
<b>127 001</b>	<i>Zinc plated steel</i>	4	0,09

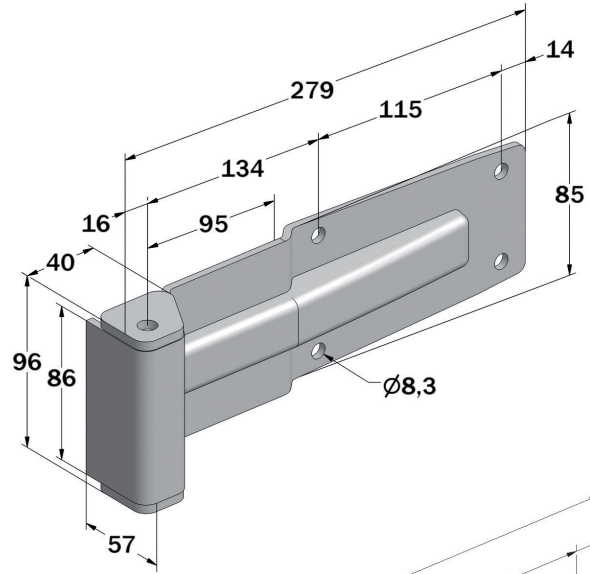
## ▲Pin E with self locking nut



Reference	Material	Weight (kg)
<b>117 003</b>	<i>Stainless steel</i>	0,04
<b>127 003</b>	<i>Zinc plated steel</i>	0,04

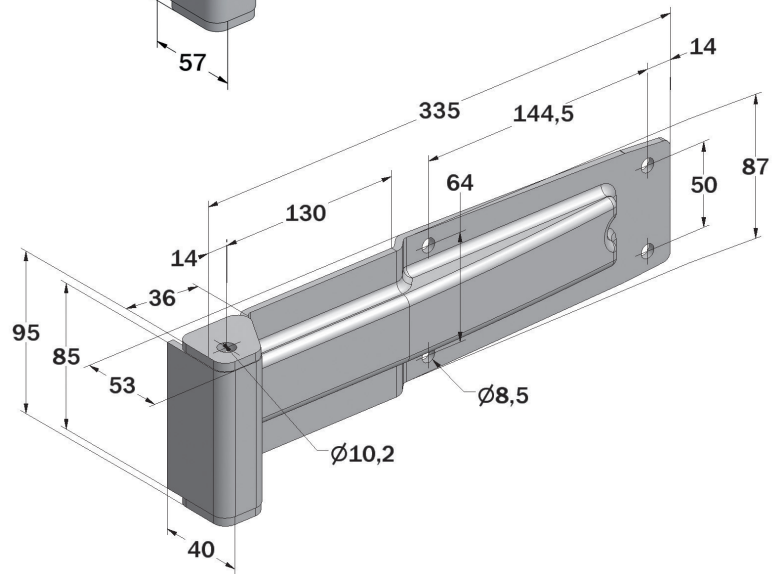
### ▲Hinge F

Zinc plated steel



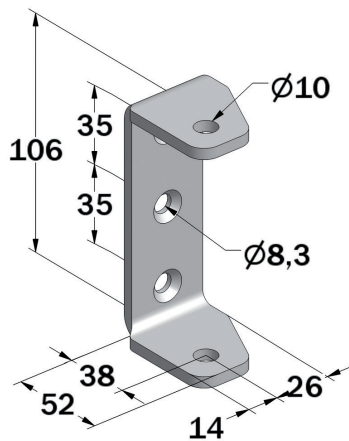
Reference	Thickness (mm)	Weight (kg)
127 140	4	1,03

### ▲Hinge F



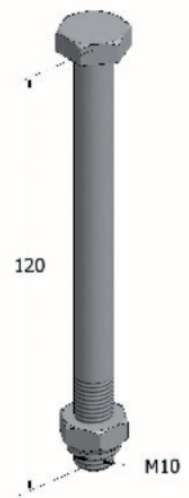
Reference	Material	Thickness (mm)	Weight (kg)
127 130	Zinc plated steel	4	1,23
117 130	Stainless steel	4	1,23

### ▲Bracket F



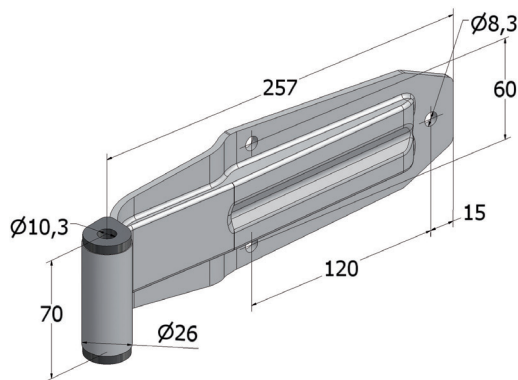
Reference	Material	Thickness (mm)	Weight (kg)
127 141	Zinc plated steel	5	0,25
117 141	Stainless steel	5	0,25

### ▲Pin F with self locking nut



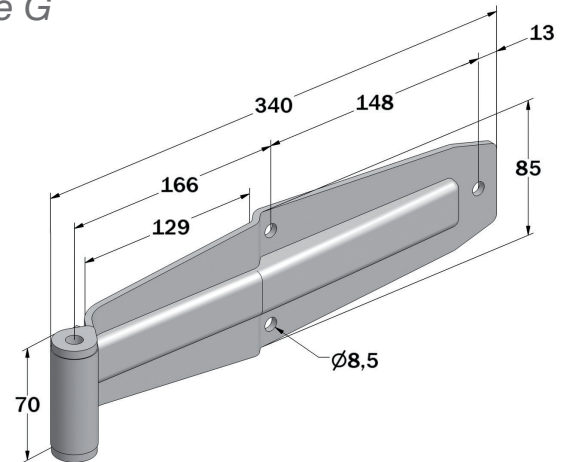
Reference	Material	Weight (kg)
127 143	Zinc plated steel	0,09
117 143	Stainless steel	0,09

## ▲Hinge G



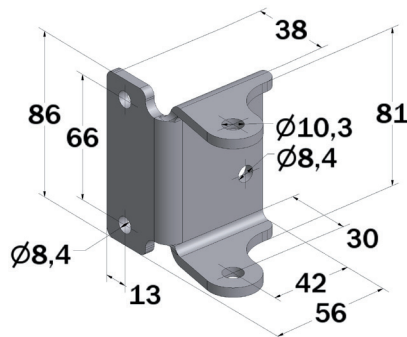
Reference	Material	Thickness (mm)	Weight (kg)
<b>127 100</b>	Zinc plated steel	4	0,75
<b>117 100</b>	Stainless steel	4	0,75

## ▲Hinge G



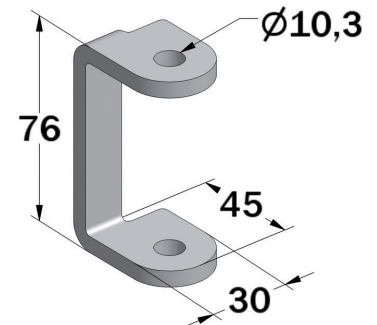
Reference	Material	Thickness (mm)	Weight (kg)
<b>127 120</b>	Zinc plated steel	4	0,94
<b>117 120</b>	Stainless steel	4	0,94

## ▲Bracket G Stainless steel



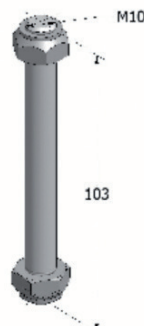
Reference	Thickness (mm)	Weight (kg)
<b>117 101</b>	4	0,3

## ▲Bracket G



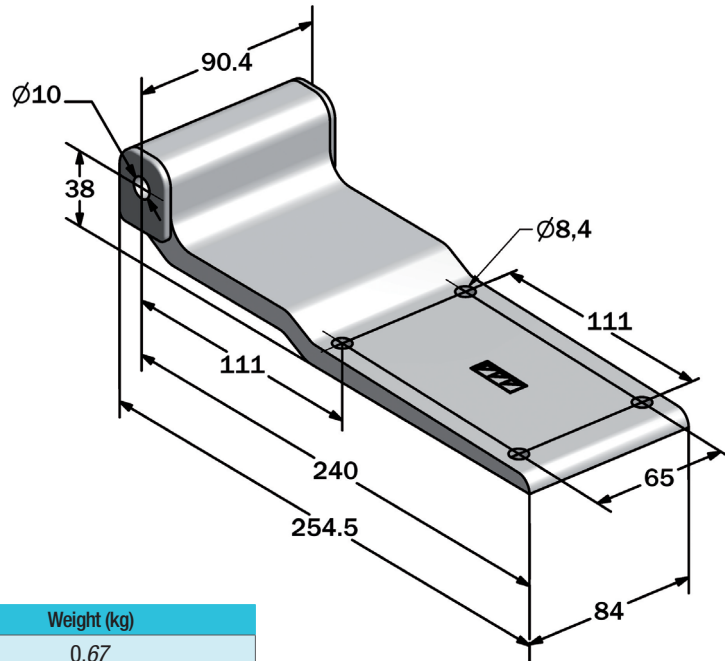
Reference	Material	Thickness (mm)	Weight (kg)
<b>117 102</b>	Stainless steel	5	0,18
<b>127 102</b>	Zinc plated steel	6	0,15

## ▲Pin G with self locking nut Stainless steel



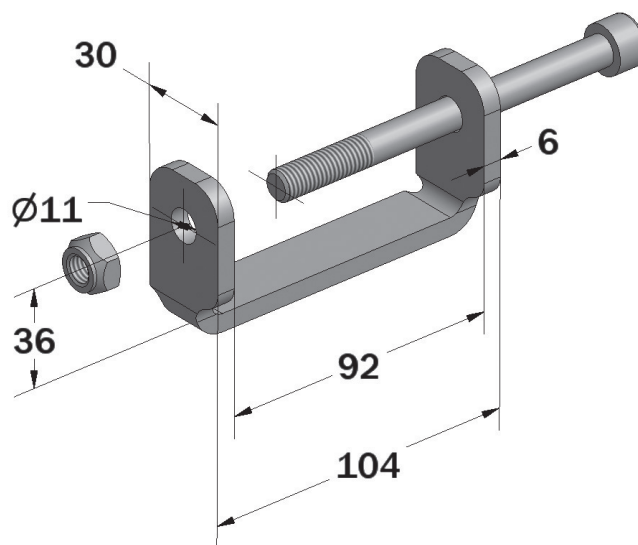
Reference	Weight (kg)
<b>117 103</b>	0,1

▲ **Aluminium hinge**  
Anodized aluminium



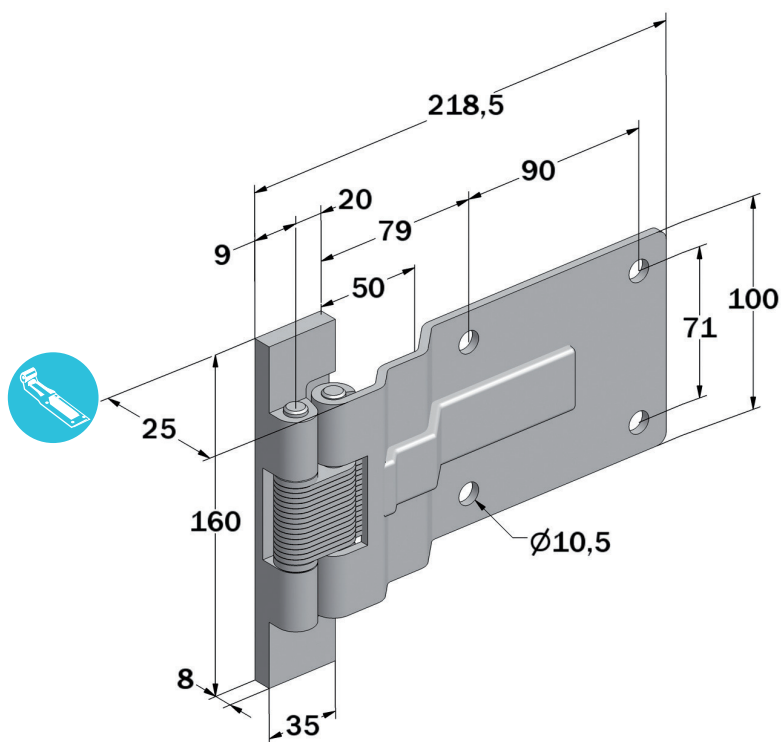
Reference	Weight (kg)
<b>118 000</b>	0,67

▲ **Bracket for the hinge 118 000**  
Steel



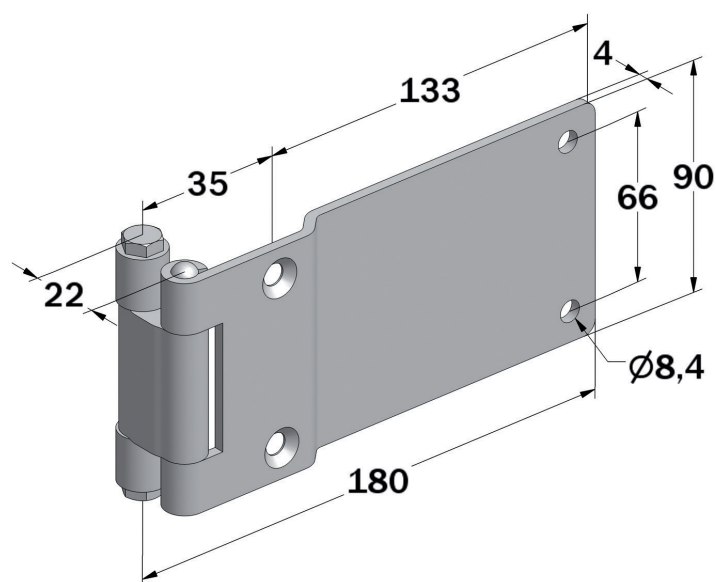
Reference	Weight (kg)
<b>118 001</b>	0,2





▲ Double joint hinge - opening 270°  
Bichromated steel

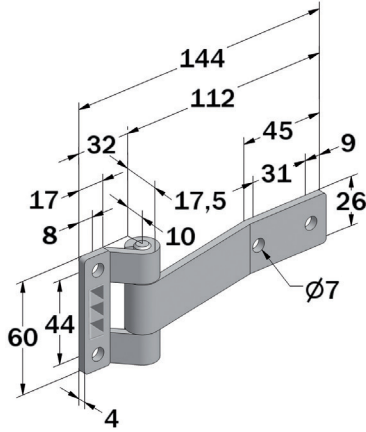
Reference	Weight (kg)
124 001	1,36



▲ Double joint hinge - aluminium bush - opening 270°  
Zinc plated steel

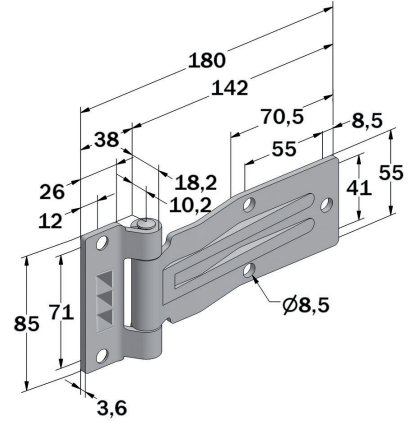
Reference	Weight (kg)
114 090	0,9

### ▲Hinge



Reference	Material	Weight (kg)
<b>114 041</b>	Zinc plated steel	0,2
<b>114 040</b>	Stainless steel	0,2

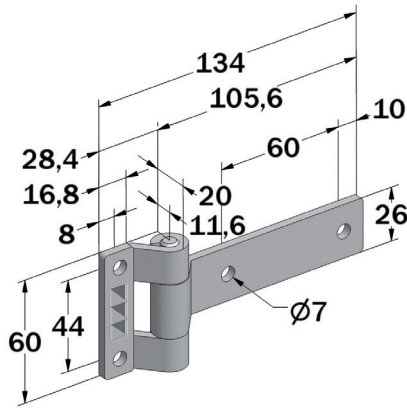
### ▲Hinge



Reference	Material	Weight (kg)
<b>114 061</b>	Zinc plated steel	0,41
<b>114 060</b>	Stainless steel	0,41

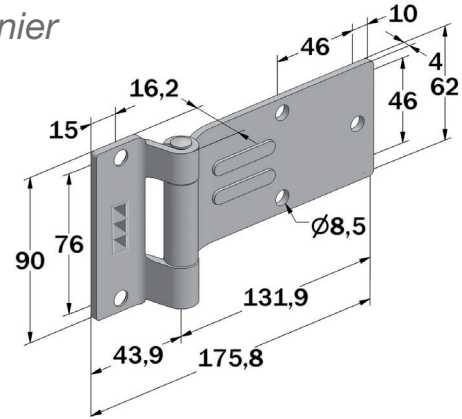


### ▲Scharnier



Reference	Material	Weight (kg)
<b>114 051</b>	Zinc plated steel	0,2
<b>114 050</b>	Stainless steel	0,2

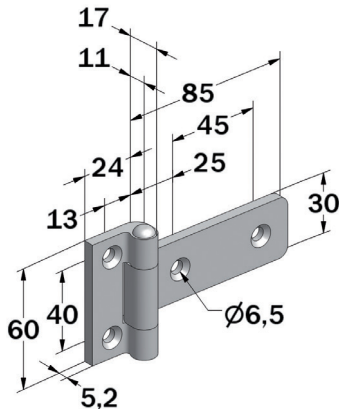
### ▲Scharnier



Reference	Material	Weight (kg)
<b>114 081</b>	Zinc plated steel	0,45
<b>114 080</b>	Stainless steel	0,45

### ▲Hinge

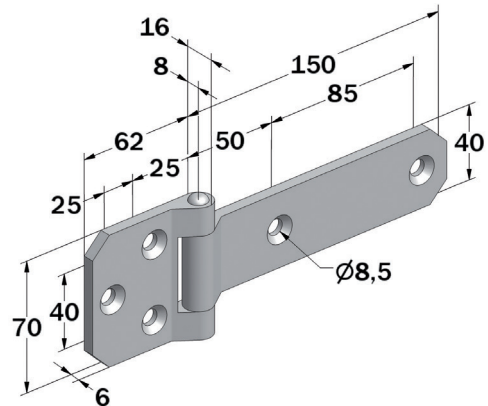
Zinc plated steel



Reference	Weight (kg)
<b>106 800</b>	0,19

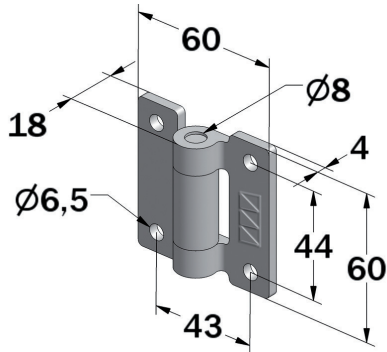
### ▲Hinge

Zinc plated steel



Reference	Weight (kg)
<b>107 001</b>	0,52

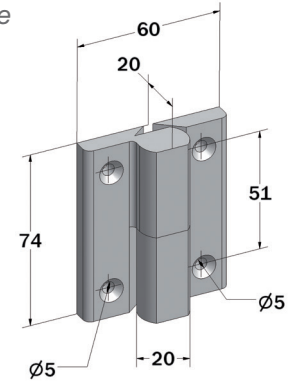
## ▲Hinge 270° Stainless steel



Reference	Weight (kg)
<b>114 025</b>	0,14

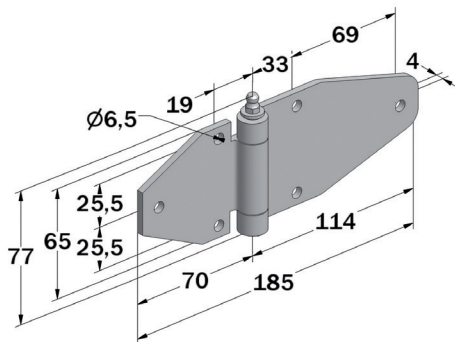
## ▲Detachable hinge

304 stainless steel pin. Acetate strengthened with glass fibre



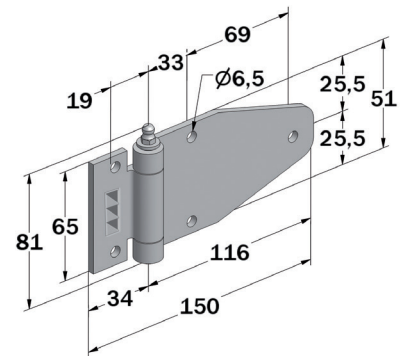
Reference	Side	Diameter (mm)	Weight (kg)
<b>113 300</b>	left	10	0,06
<b>113 301</b>	right	10	0,06

## ▲Hinge with or without grease nipple



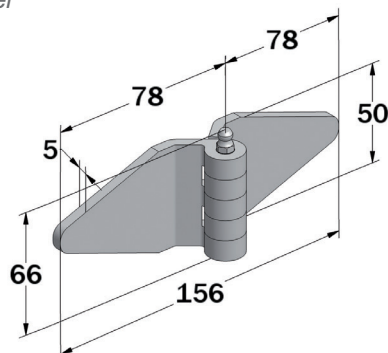
Reference	Specificity	Material	Weight (kg)
<b>114 030</b>	Without grease nipple	Stainless steel	0,39
<b>114 031</b>	With grease nipple	Zinc plated steel	0,39

## ▲Hinge with grease nipple



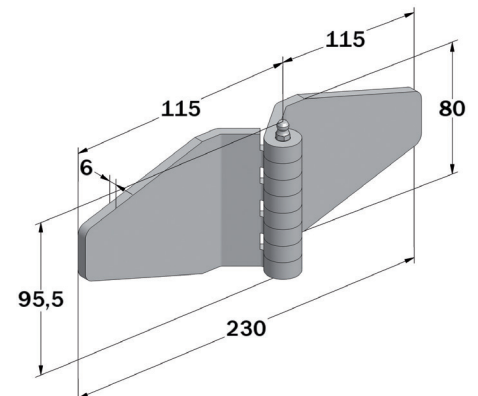
Reference	Material	Weight (kg)
<b>114 035</b>	Stainless steel	0,33
<b>114 036</b>	Zinc plated steel	0,33

## ▲Hinge with grease nipple Zinc plated steel



Reference	Weight (kg)
<b>114 011</b>	0,33

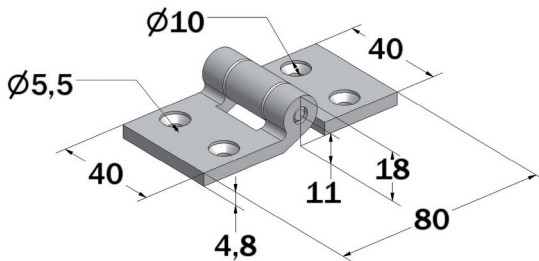
## ▲Hinge with grease nipple Zinc plated steel



Reference	Weight (kg)
<b>114 022</b>	0,93

### ▲Hinge with nylon rings

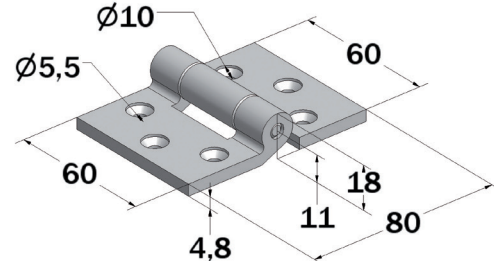
6mm stainless steel axle  
Aluminium



Reference	height (mm)	Weight (kg)
<b>55 020</b>	40	0,05

### ▲Hinge H60 with nylon rings

6mm stainless steel axle  
Aluminium

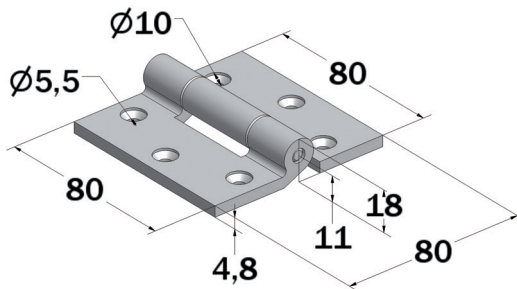


Reference	height (mm)	Weight (kg)
<b>55 021</b>	60	0,08



### ▲Hinge H80 with nylon rings

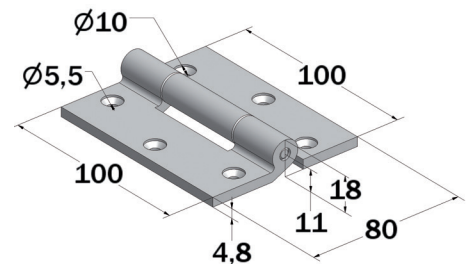
6mm stainless steel axle  
Aluminium



Reference	height (mm)	Weight (kg)
<b>55 022</b>	80	0,11

### ▲Hinge H100 with nylon rings

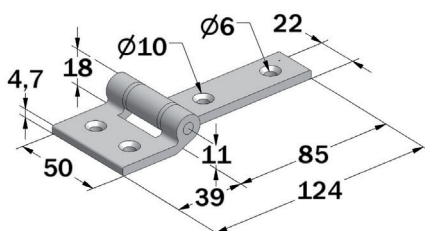
6mm stainless steel axle  
Aluminium



Reference	height (mm)	Weight (kg)
<b>55 023</b>	100	0,14

### ▲Hinge H70 with nylon rings

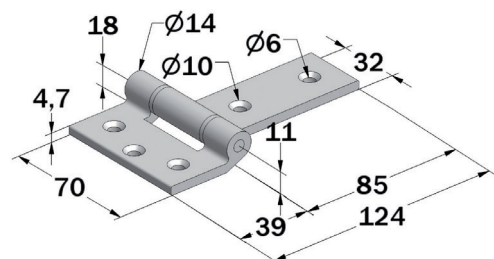
6mm stainless steel axle  
Aluminium



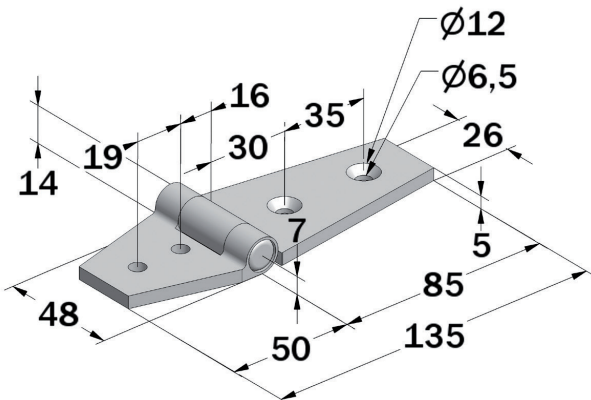
Reference	height (mm)	Weight (kg)
<b>106 820</b>	50	0,07

### ▲Hinge H70 with nylon rings

6mm stainless steel axle  
Aluminium

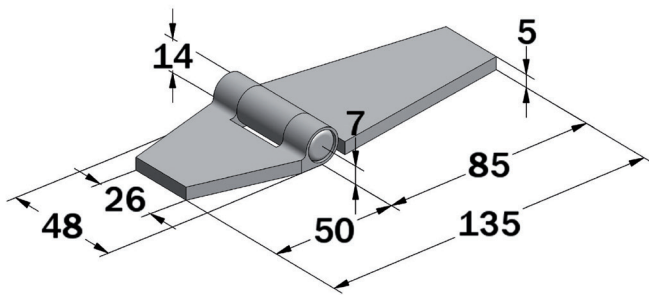


Reference	height (mm)	Weight (kg)
<b>106 821</b>	70	0,10



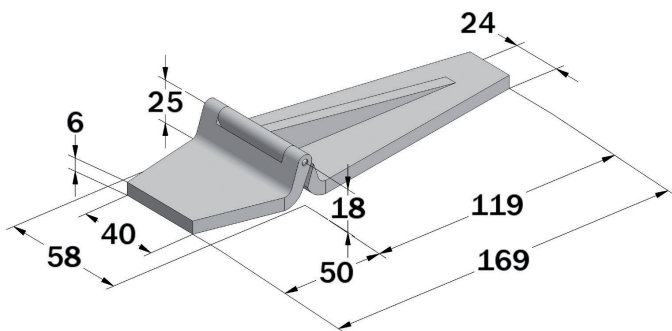
### ▲Hinge with holes Polished aluminium

Reference	Side	Weight (kg)
57 801	Drawing side	0,1
57 800	Opposite side to drawing	0,1



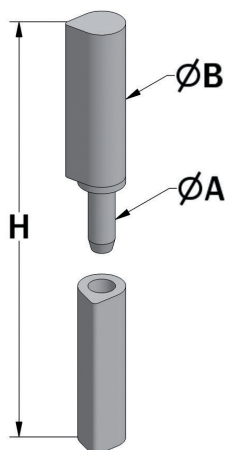
### ▲Hinge without holes Polished aluminium

Reference	Weight (kg)
57 600	0,1



### ▲Strengthened hinge Aluminium

Reference	Weight (kg)
57 900	0,17



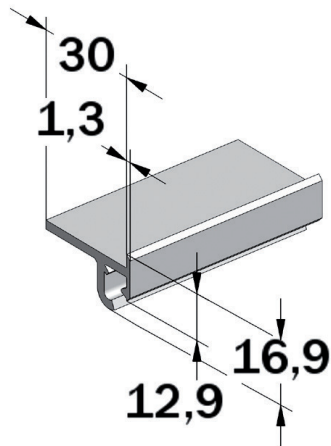
### ▲«MAROC»<sup>®</sup> weld-on hinge Steel

Reference	Diam a (mm)	Diam b (mm)	height (mm)	Weight (kg)	Packaging
57 500	7	13	80	0,08	30
57 501	9	16	100	0,16	20
57 502	9	16	120	0,19	10



### ▲Profile for hinge

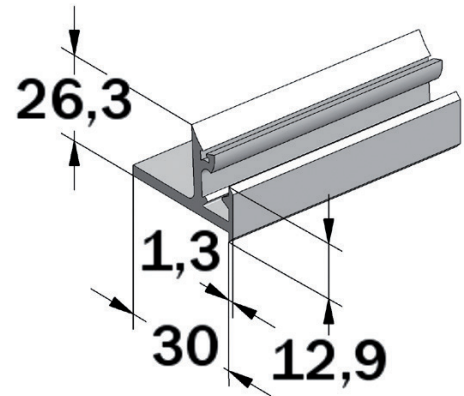
Combine with 270 027  
Anodized aluminium



Reference	Length (mm)	Weight (kg)
<b>270 025</b>	5000	0,4

### ▲Profile for hinge

Combine with 270 027  
Anodized aluminium

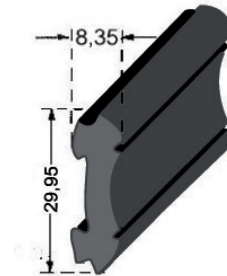


Reference	Length (mm)	Weight (kg)
<b>270 026</b>	5000	0,5



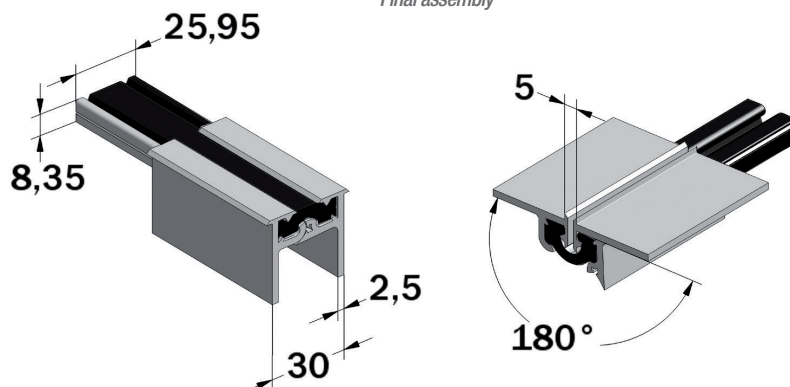
### ▲EPDM profile ALONE for 270 025 and 270 026

Tensile strength 1 Mpa, shore hardness 70 ± 5,  
elongation at break 400 %



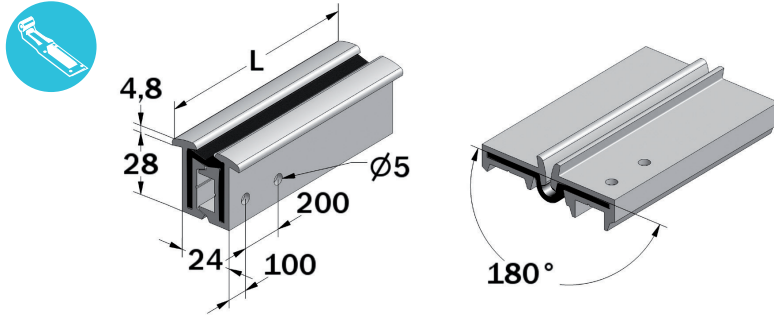
Reference	Length (mm)	Weight (kg/m)
<b>270 027</b>	25	0,16

Final assembly



## ▲Hinge profile

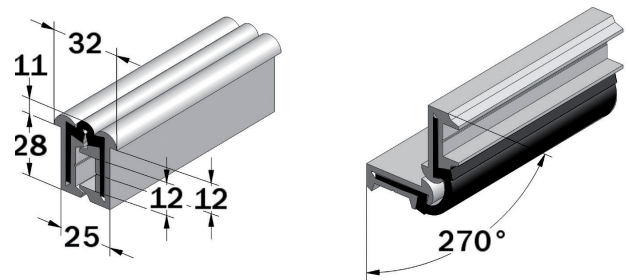
Polyurethane joint, 180° opening  
Anodized aluminium



Reference	Length (mm)	Weight (kg)
67 407	2400	2,9
67 405	4000	4,83

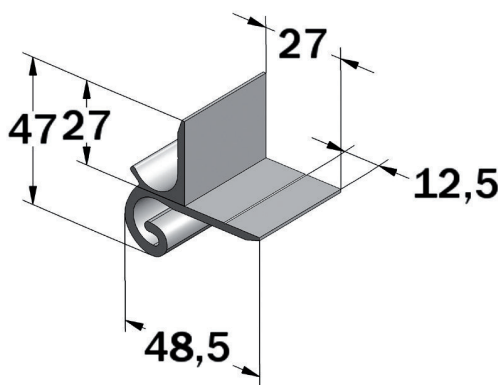
## ▲«Poliall» hinge

Tensile strenght 1200 kg/m, weather resistance  
- 40 °C to + 80 °C, opening 270°  
Anodized aluminium



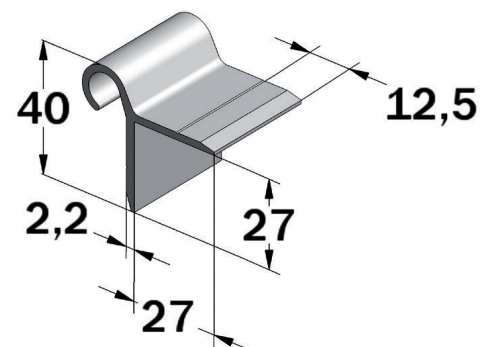
Reference	Length (mm)	Weight (kg)
67 301	3000	4,6

## ▲Hinge profile

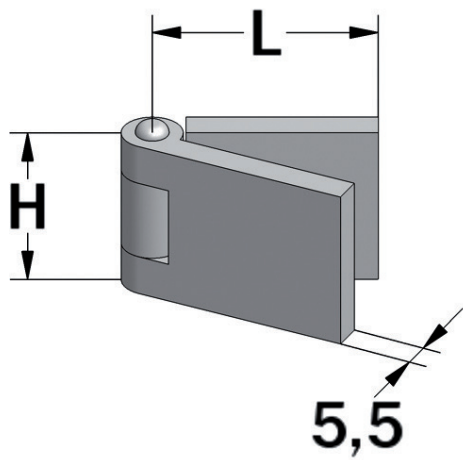


Reference	Material	Length (mm)	Weight (kg)
67 352	Anodized aluminium	5000	0,78
67 350	Mill finish aluminium	5000	0,78

## ▲Hinge profile



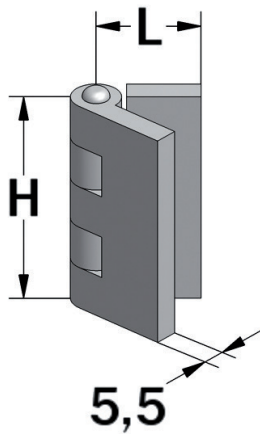
Reference	Material	Length (mm)	Weight (kg)
67 353	Anodized aluminium	5000	0,6
67 351	Mill finish aluminium	5000	0,6



### ▲3 knots hinge

Self colour steel, brass pin

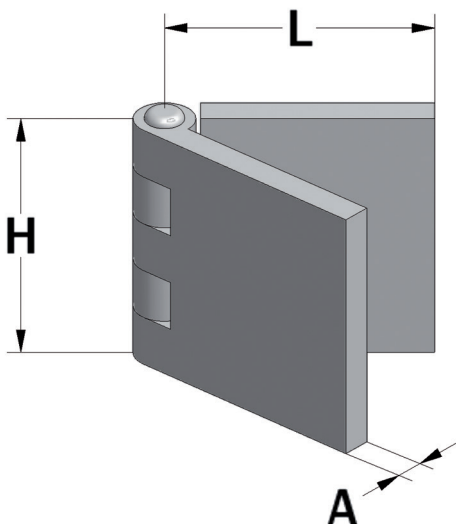
Reference	h x l (mm)	Diam knot (mm)	Weight (kg)
54 400	30 x 40	12	0,11
54 401	30 x 60	12	0,15
54 402	35 x 40	12	0,13
54 403	35 x 60	12	0,18
54 409	40 x 40	12	0,16
54 410	40 x 50	12	0,18
54 411	40 x 60	12	0,21



### ▲5 knots hinge 12mm

Self colour steel. Brass pin

Reference	h x l (mm)	Diam knot (mm)
54 500	50 x 22,5	12
54 502	50 x 50	12
54 503	50 x 60	12
54 504	50 x 80	12
54 509	60 x 60	12
54 512	60 x 90	12
54 515	80 x 80	12
54 516	80 x 100	12



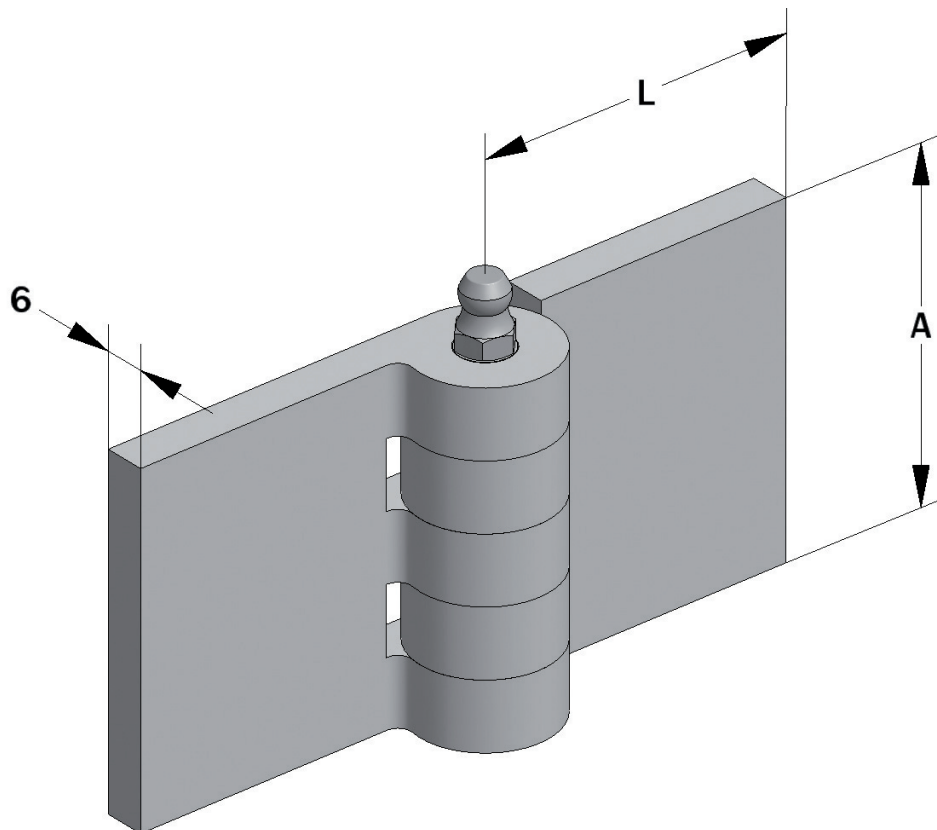
### ▲5 knots hinge 16,5mm

Self colour steel, brass pin

Reference	h x l (mm)	Diam knot (mm)	Weight (kg)
54 600	60 x 60	16,5	0,47
54 601	60 x 80	16,5	0,55
54 602	60 x 90	16,5	0,66
54 605	80 x 80	16,5	0,76
54 606	80 x 120	16,5	1,2

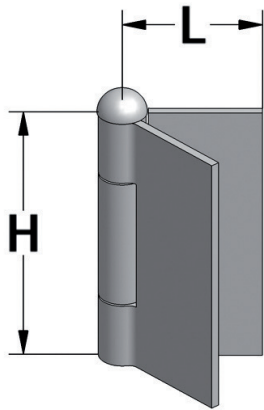
## ▲5 Knots hinge

Steel pin with lubricator  
Self colour steel



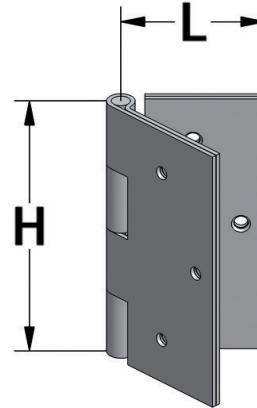
Reference	a (mm)	lmm	Diam axle (mm)	Weight (kg)
54 700	50	50	8	0,25
54 702	50	80	6	0,48
54 710	60	60	8	0,43
54 720	80	80	6	0,73

▲ *Hinge single foil*  
Steel



Reference	Diam axle (mm)	h x l (mm)	Thickness (mm)	Weight (kg/m)
<b>55 401</b>	6	50 x 25	2	0,06
<b>55 402</b>	6	60 x 30	2	0,08

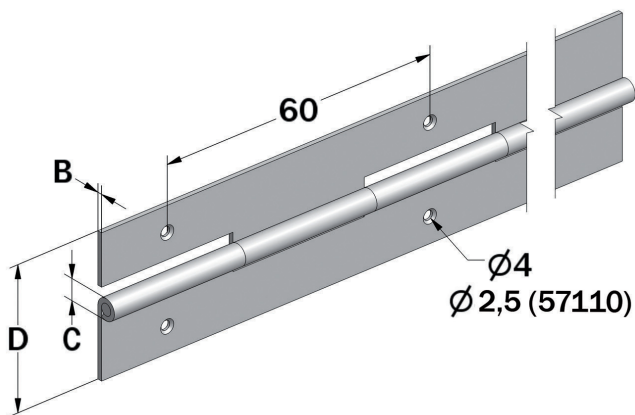
▲ *Hinge double foil with holes*  
Steel



Reference	Diam axle (mm)	h x l (mm)	Thickness (mm)	Weight (kg/m)
<b>55 302</b>	4	60 x 30	2	0,06

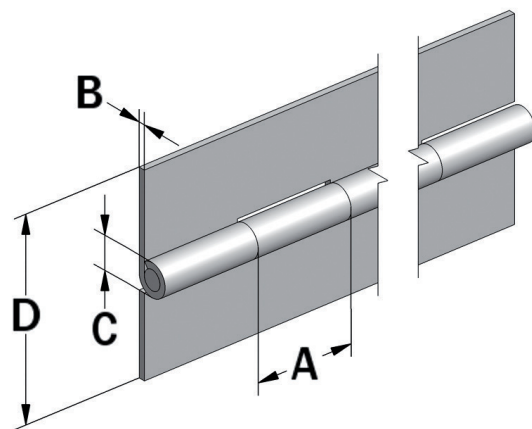


▲ *Piano hinge with holes stainless steel*  
Stainless steel



Reference	b (mm)	d (mm)	c (mm)	Length (mm)	Weight (kg/m)
<b>57 105</b>	2	5	60	2000	2,35
<b>57 107</b>	2	8	50	2000	2,05
<b>57 110</b>	0,6	3,4	32	3480	0,47

▲ *Hinge single foil stainless steel*  
304 stainless steel - rolled knot - no hole - stainless steel pin



Reference	a (mm)	b (mm)	c (mm)	d (mm)	Length (mm)	Weight (kg/m)
<b>57 103</b>	30	2	6	60	2000	2,80