



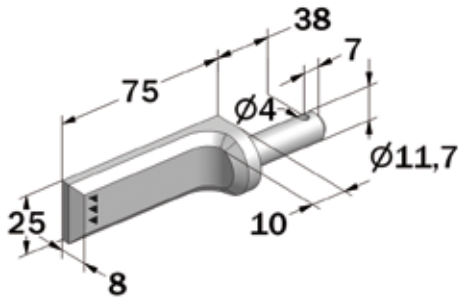
<i>Hinges</i>	227
<i>Dropsides locks</i>	229
<i>Removable locks</i>	233
<i>Hinges for rear tippers</i>	234
<i>Tipper locking mechanism</i>	235
<i>Tippers rollers</i>	236
<i>Catch for tipper</i>	237
<i>Tipper thrust block</i>	238
<i>Three-way tipper joint</i>	239
<i>Containers corners</i>	240
<i>Containers hinges</i>	242
<i>Container locking gear</i>	243
<i>Chains</i>	244

F

TIPPERS AND CONTAINERS

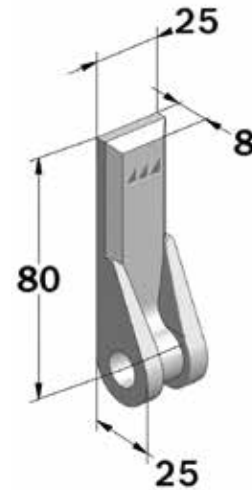


▲Hinge pin Ø12
Self colour steel



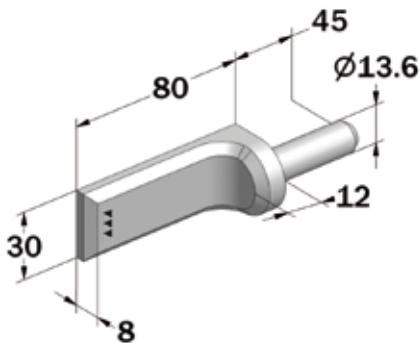
Reference	Diameter (mm)	Weight (kg)
90 000	12	0,13

▲Housing Ø12
Self colour steel



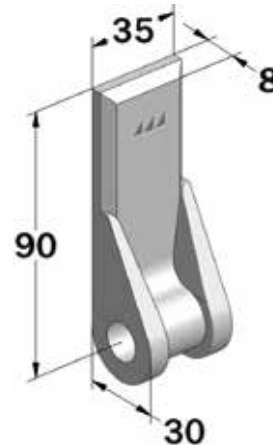
Reference	Diameter (mm)	Weight (kg)
90 001	12	0,16

▲Hinge pin Ø14
Self colour steel



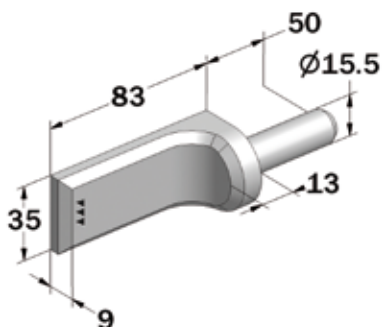
Reference	Diameter (mm)	Weight (kg)
90 100	14	0,26

▲Housing Ø14
Self colour steel



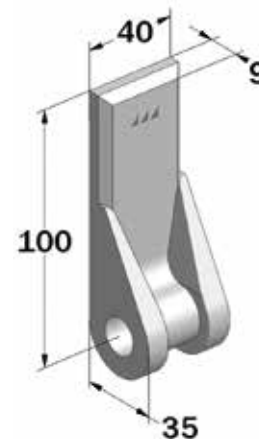
Reference	Diameter (mm)	Weight (kg)
90 101	14	0,28

▲Hinge pin Ø16
Self colour steel



Reference	Diameter (mm)	Weight (kg)
90 200	16	0,47

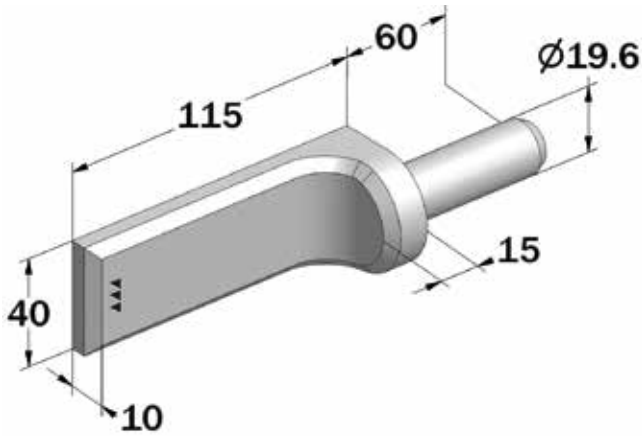
▲Housing Ø16
Self colour steel



Reference	Diameter (mm)	Weight (kg)
90 201	16	0,41

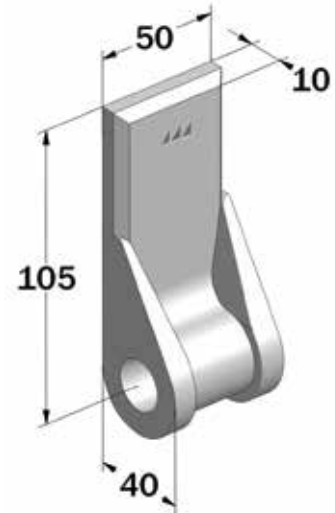


▲Hinge pin Ø20
Self colour steel



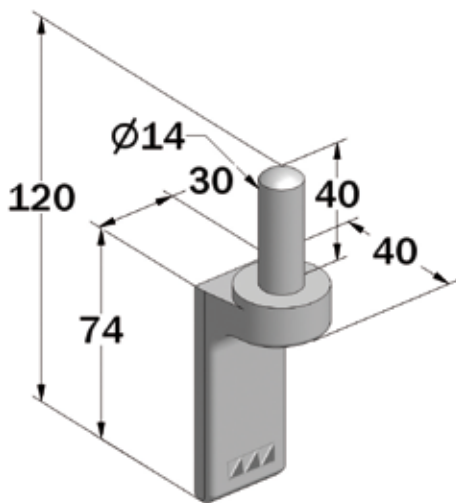
Reference	Diameter (mm)	Weight (kg)
90 300	20	0,65

▲Housing Ø20
Self colour steel



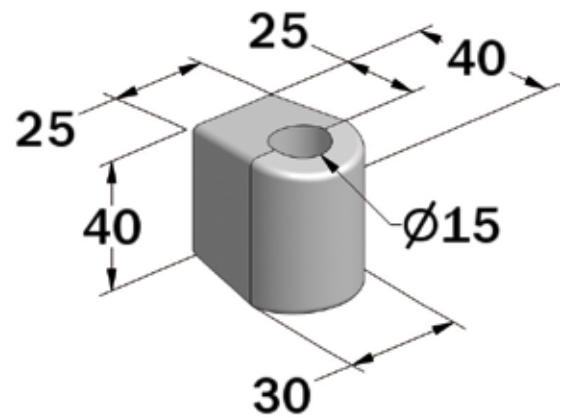
Reference	Diameter (mm)	Weight (kg)
90 301	20	0,79

▲Hinge pin Ø15
Self colour steel



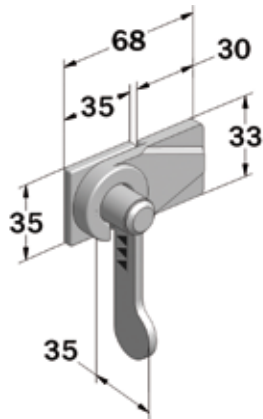
Reference	Diameter (mm)	Weight (kg)
111 601	15	0,33

▲Housing Ø15
Self colour steel



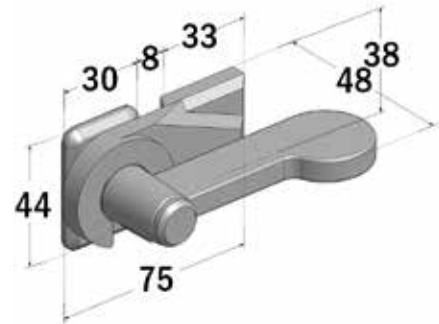
Reference	Diameter (mm)	Weight (kg)
111 600	15	0,27

▲ **Turnbuckle lock**
Self colour steel

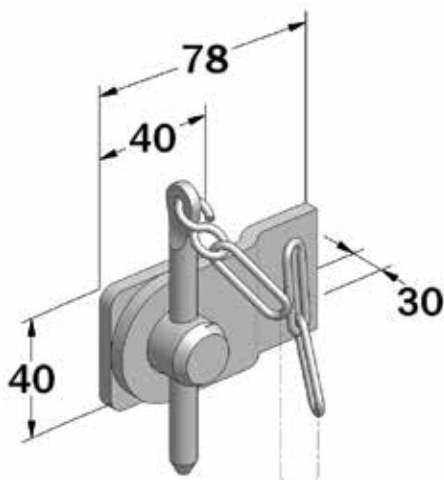


Reference	Side	Weight (kg)
100 400	Right	0,2
100 401	Left	0,2

▲ **Turnbuckle lock**
Self colour steel



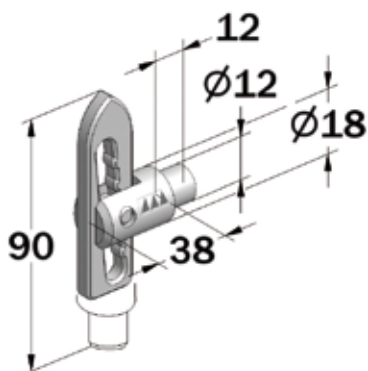
Reference	Side	Weight (kg)
100 500	Right	0,37
100 501	Left	0,37



▲ **Lock with chain**

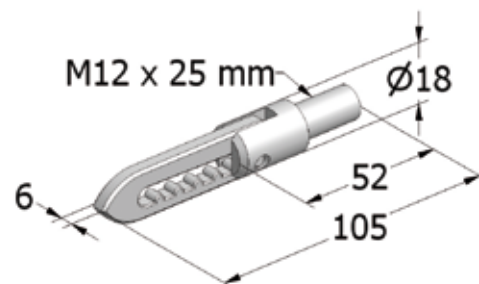
Reference	Weight (kg)
102 502	0,28

▲ **Weld-on antiluce fastener**
Zinc plated steel



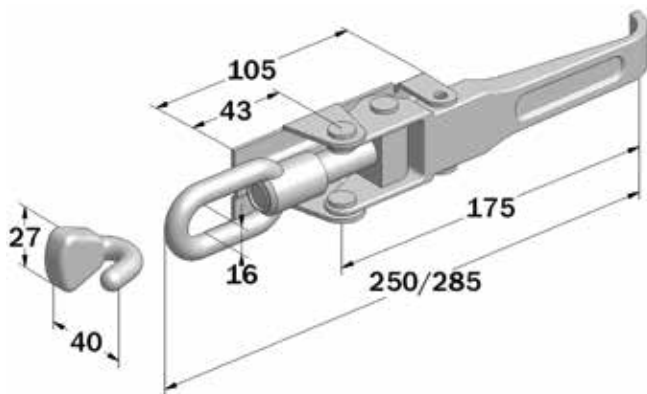
Reference	Weight (kg)
100 600	0,09

▲ **Bolt-on antiluce fastener - M12 axle**
Zinc plated steel



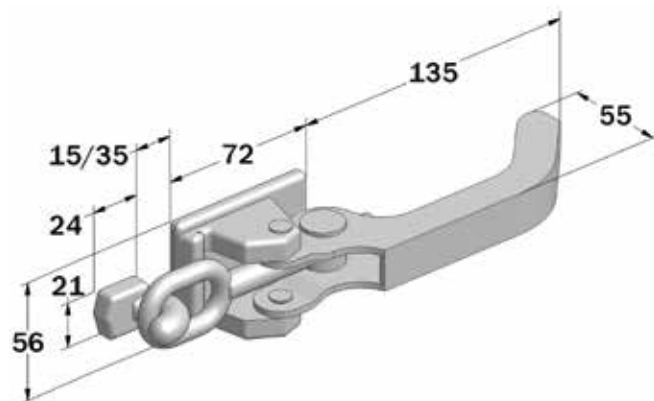
Reference	Weight (kg)
100 601	0,1

▲ *Weld-on eccentric lock with hook*
Self colour steel



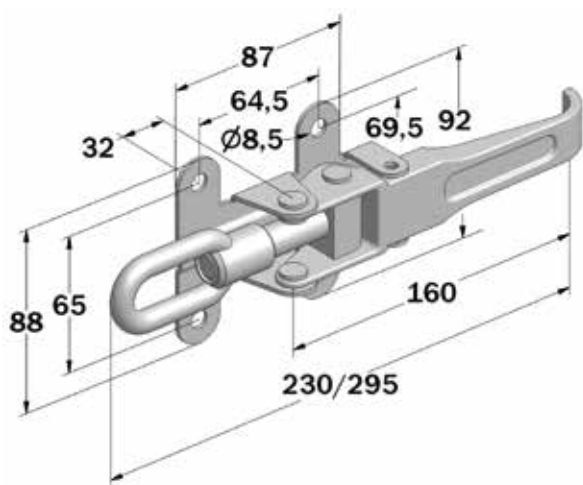
Reference	Weight (kg)
110 802	0,96

▲ *Weld-on eccentric lock with hook*
Self colour steel



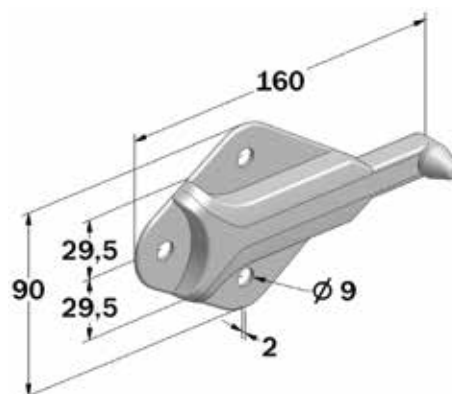
Reference	Weight (kg)
100 902	0,8

▲ *Bolt-on lock with ring*
Self colour steel



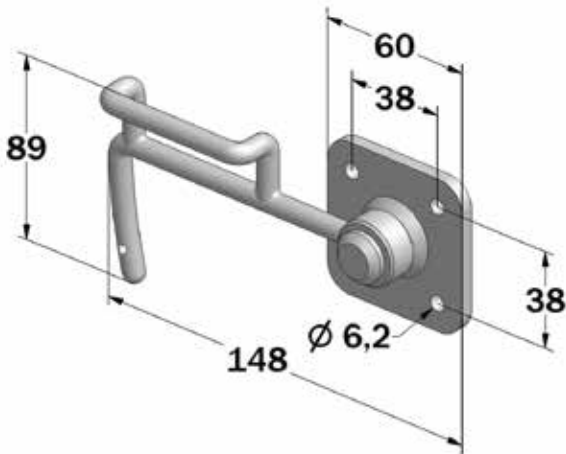
Reference	Weight (kg)
110 810	0,93

▲ *Catch for 110810*



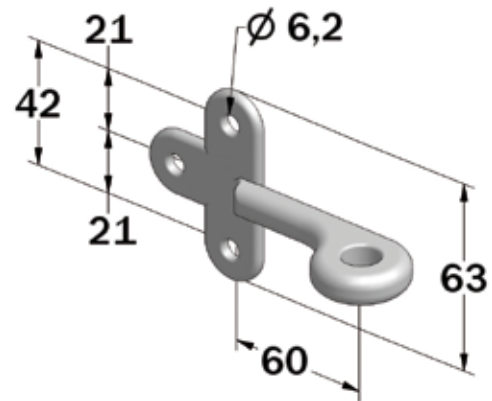
Reference	Weight (kg)
110 811	0,43

▲ *Dropside lock*
Zinc plated steel



Reference	Side	Weight (kg)
110 830	<i>Opposite side to drawing</i>	0,31
110 831	<i>Drawing side</i>	0,31

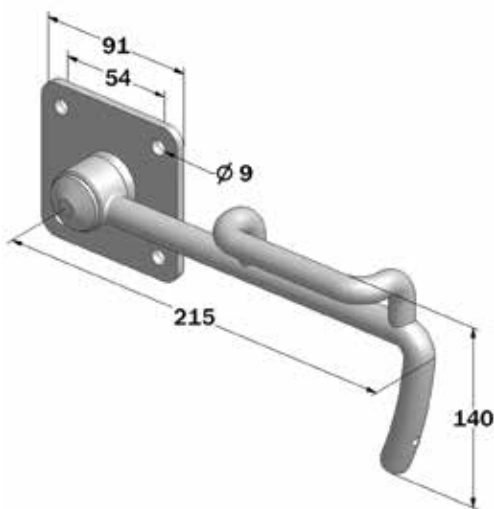
▲ *Catch for 110830 et 110831*
Zinc plated steel



Reference	Weight (kg)
110 832	0,1

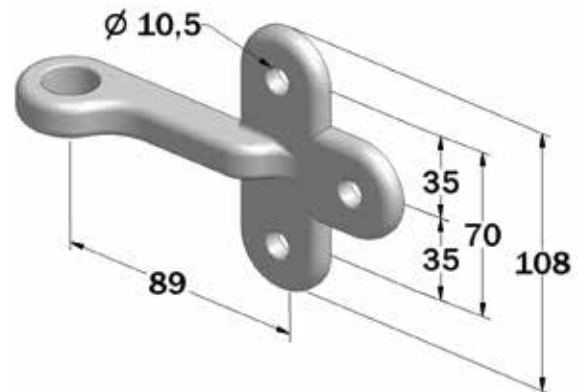


▲ *Dropside lock*
Zinc plated steel

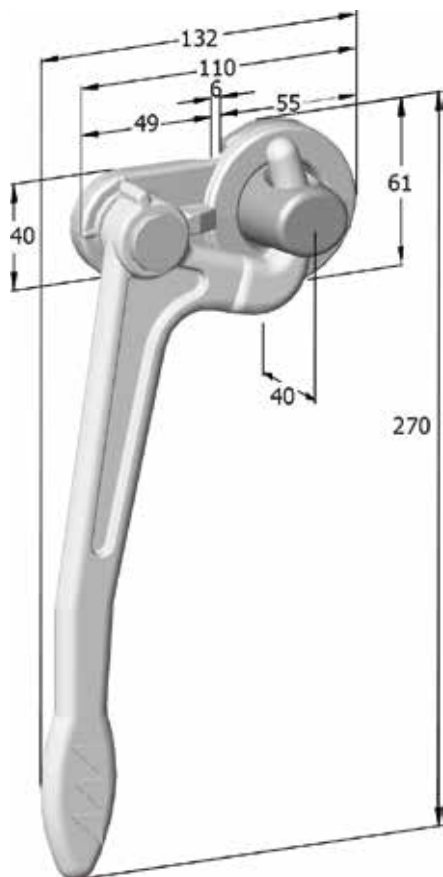


Reference	Side	Weight (kg)
110 840	<i>Drawing side</i>	1,15
110 841	<i>Opposite side to drawing</i>	1,15

▲ *Bolt-on catch for 110840 and 110841*
Zinc plated steel



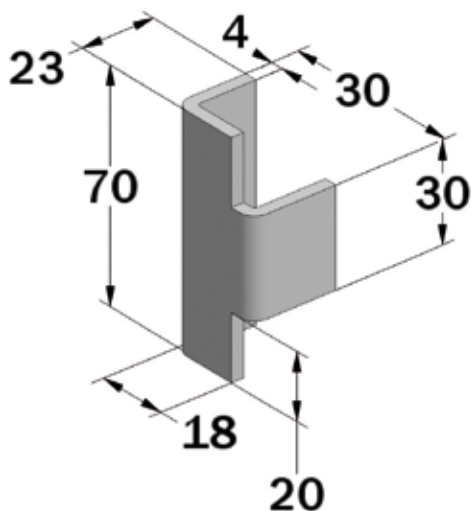
Reference	Weight (kg)
110 842	0,55



▲ *Dropside lock with catch*
Self colour steel

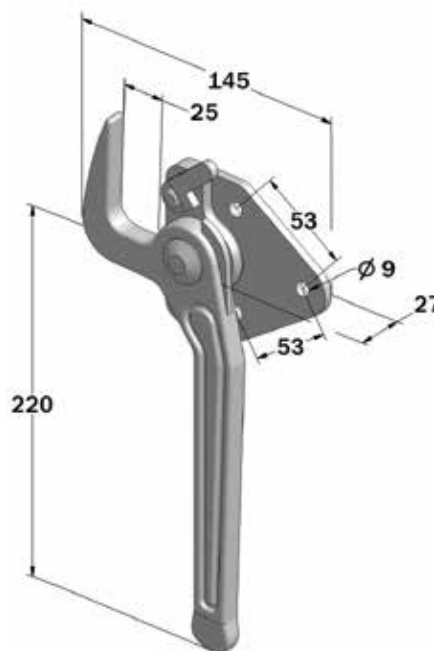
Reference	Side	Weight (kg)
112 811	<i>Drawing side</i>	1,1
112 812	<i>Opposite side to drawing</i>	1,1

▲ *Weld-on catch for 110 820 and 110 821*



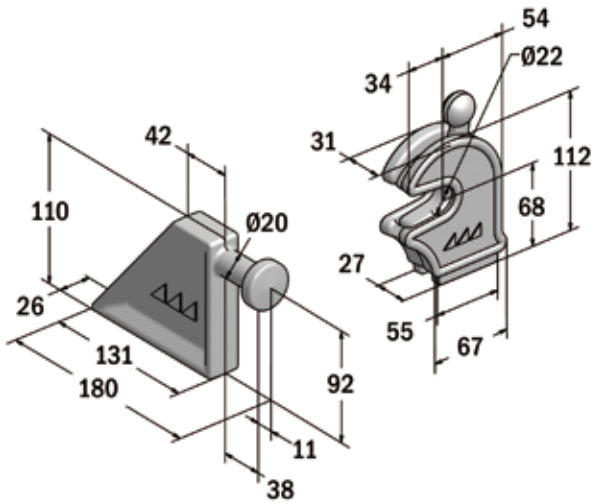
Reference	Weight (kg)
110 822	0,43

▲ *Bolt-on dropside lock*



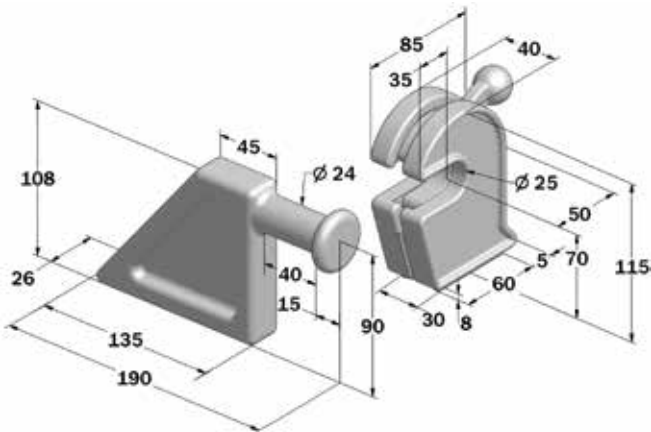
Reference	Side	Weight (kg)
110 820	<i>Opposite side to drawing</i>	0,95
110 821	<i>Drawing side</i>	0,95





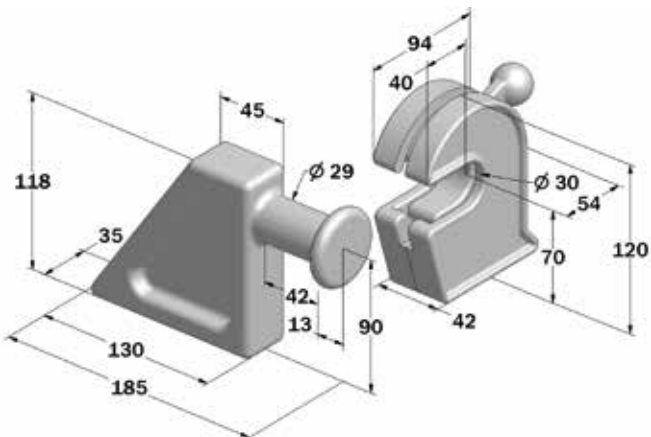
▲ Removable lock Ø20
Self colour steel

Reference	Weight (kg)	Weight max. (tons)
96 000	2,47	1,5



▲ Removable lock Ø24
Self colour steel

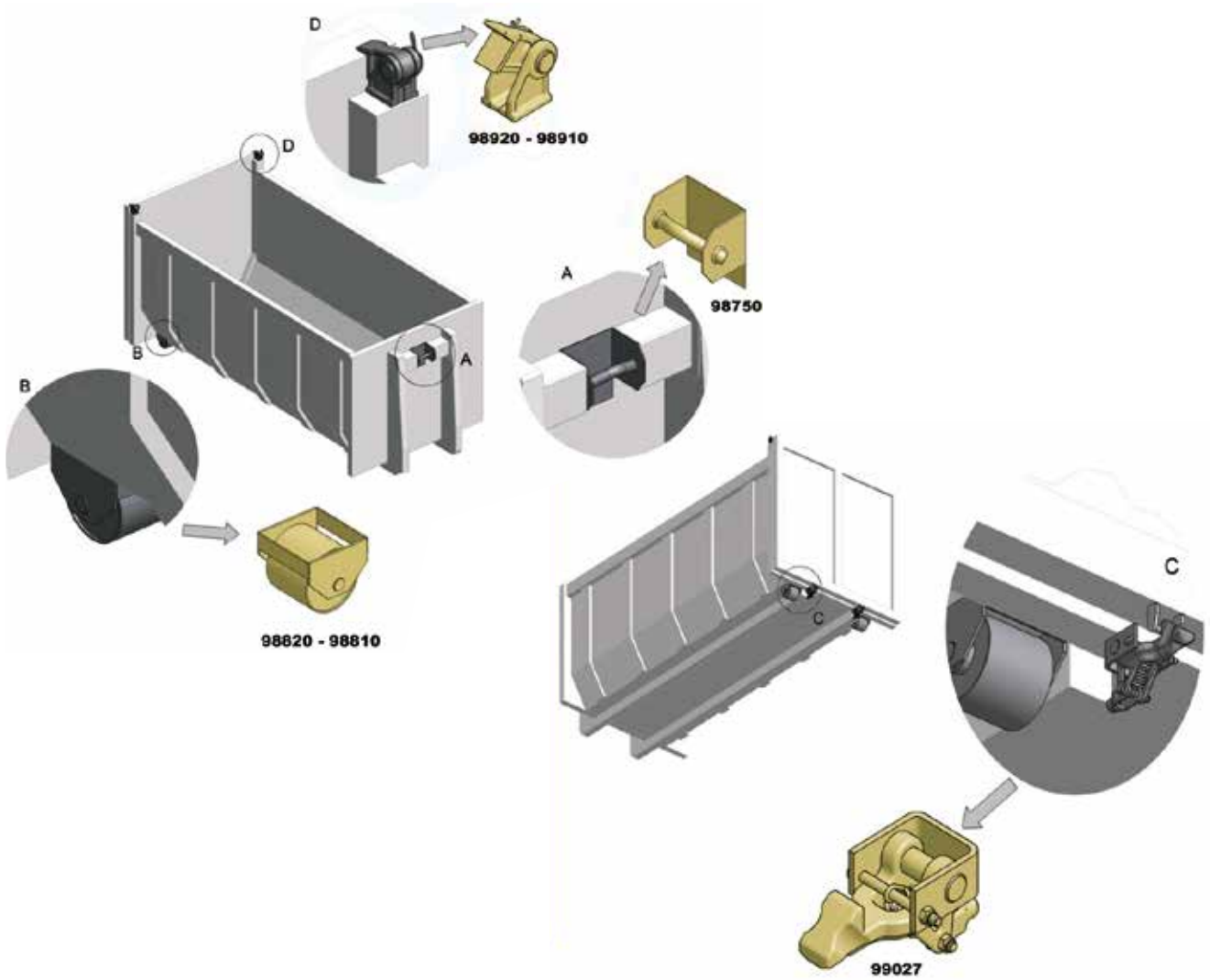
Reference	Weight (kg)	Weight max. (tons)
96 001	2,8	3



▲ Removable lock Ø29
Self colour steel

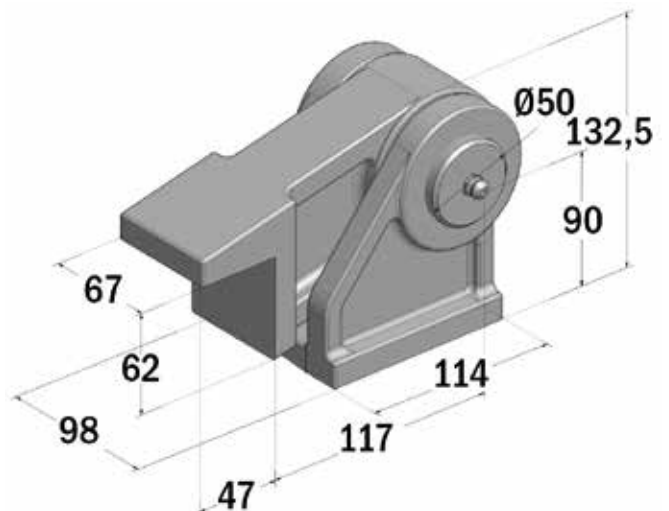
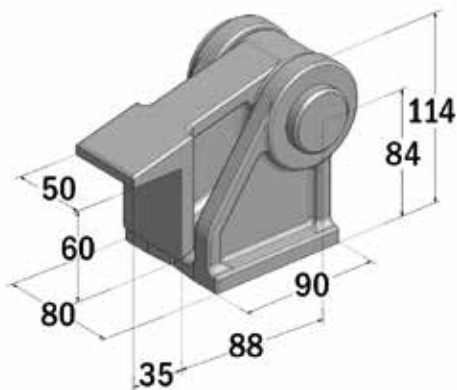
Reference	Weight (kg)	Weight max. (tons)
96 002	3,61	20





▲Hinge for rear tipper - 19T
Self colour steel

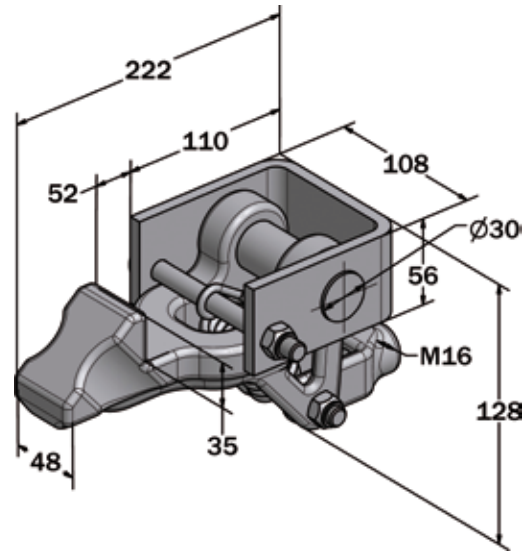
▲Hinge for rear tipper - 26 T
Self colour steel



Reference	Weight (kg)
98 920	4,45

Reference	Weight (kg)
98 910	9,5

▲ **Tipper lock**
For tippers from 19t to 26t



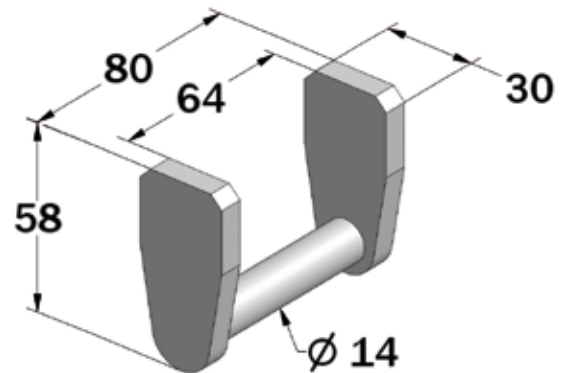
Reference	Weight (kg)
99 027	5

▲ **Tipper lock**
Bichromated hook and axle.
For tippers up to 3,5 tons



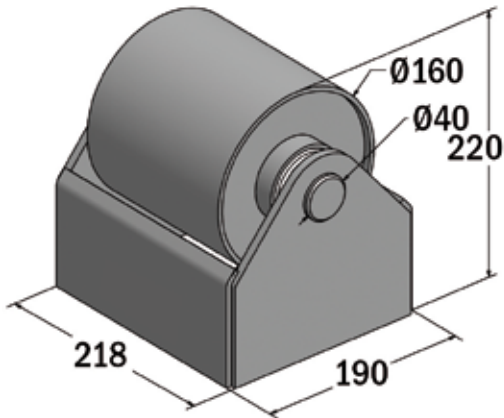
Reference	Weight (kg)
99 015	1,47

▲ **Catch for tipper lock**
Fits with 99015
Self colour steel



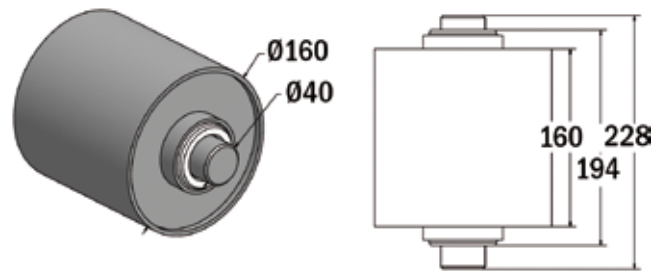
Reference	Weight (kg)
99 016	0,27

▲ **Tipper roller Ø160 - with bracket**
 Ertalon rings
 Self colour steel



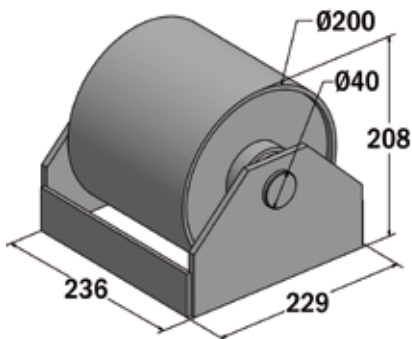
Reference	Diameter (mm)	Thickness (mm)	Weight (kg)
98 820	160	6	13,4

▲ **Roller Ø160**
 Self colour steel



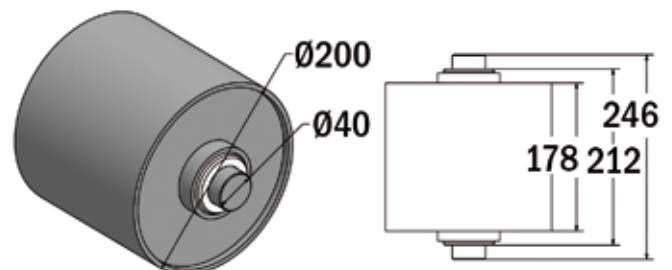
Reference	Diameter (mm)	Thickness (mm)	Weight (kg)
98 825	160	6	8,6

▲ **Tipper roller Ø200 - with bracket**
 Ertalon rings
 Self colour steel



Reference	Diameter (mm)	Thickness (mm)	Weight (kg)
98 810	200	8	18

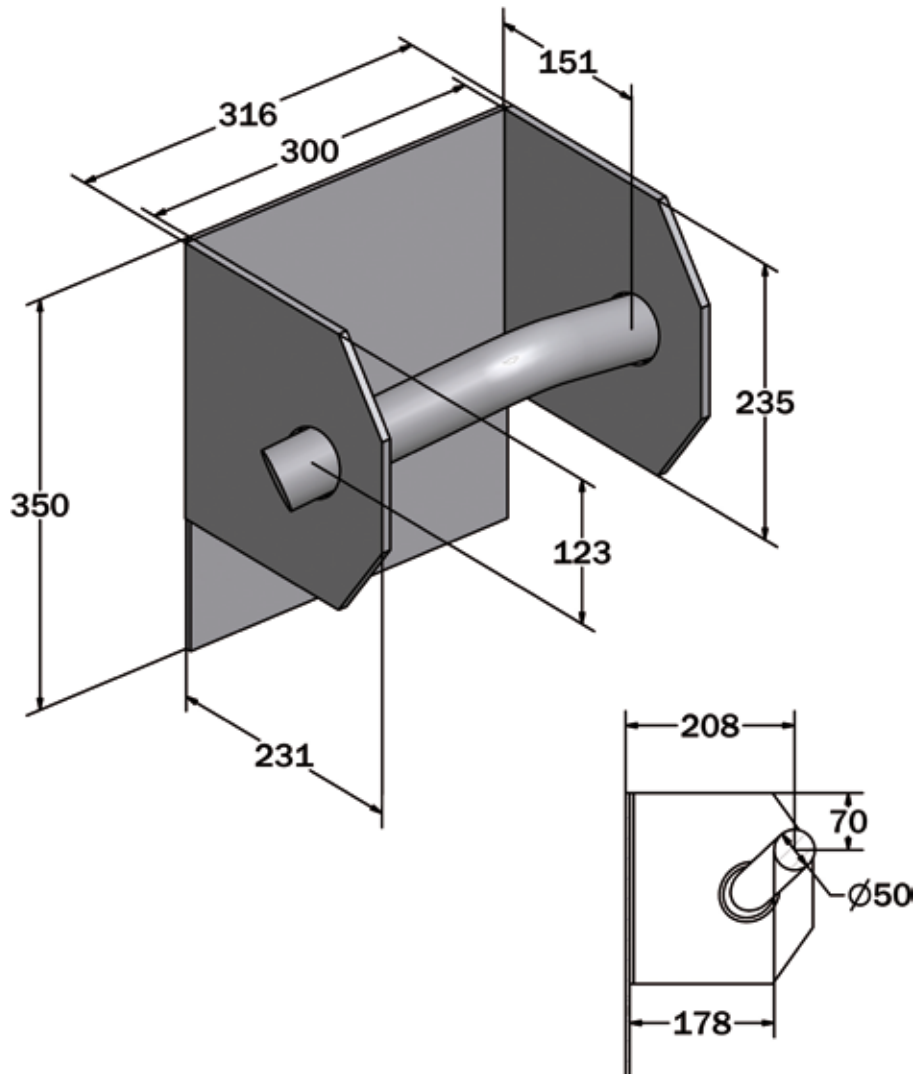
▲ **Roller Ø200**
 Self colour steel



Reference	Diameter (mm)	Thickness (mm)	Weight (kg)
98 815	200	8	12,3



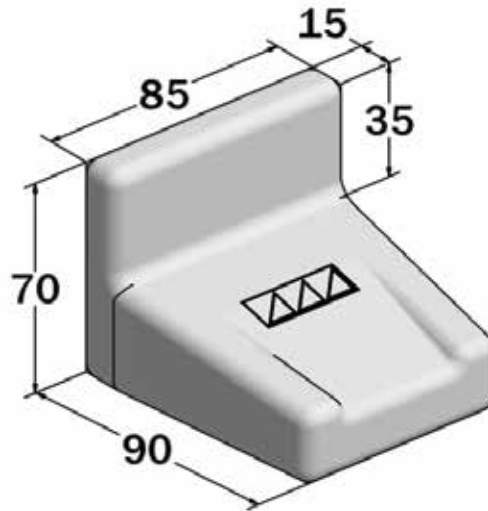
▲ Catch for tipper lock
Self colour steel



Reference
98 750

▲ Tipper thrust block small model

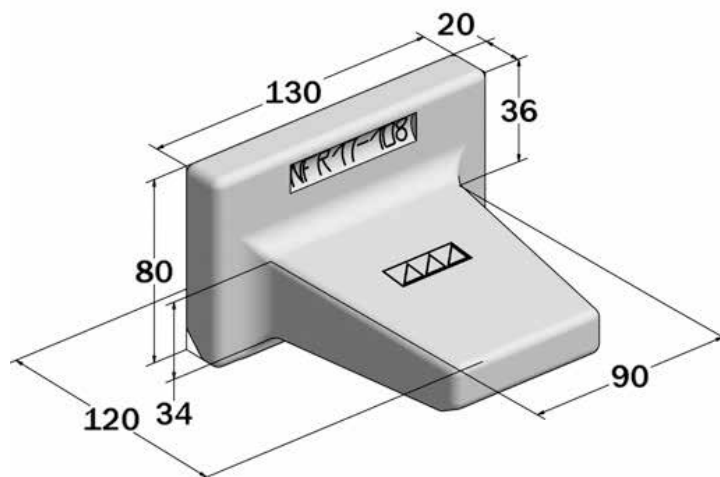
For vehicles up to 7,5 tons
Self colour steel



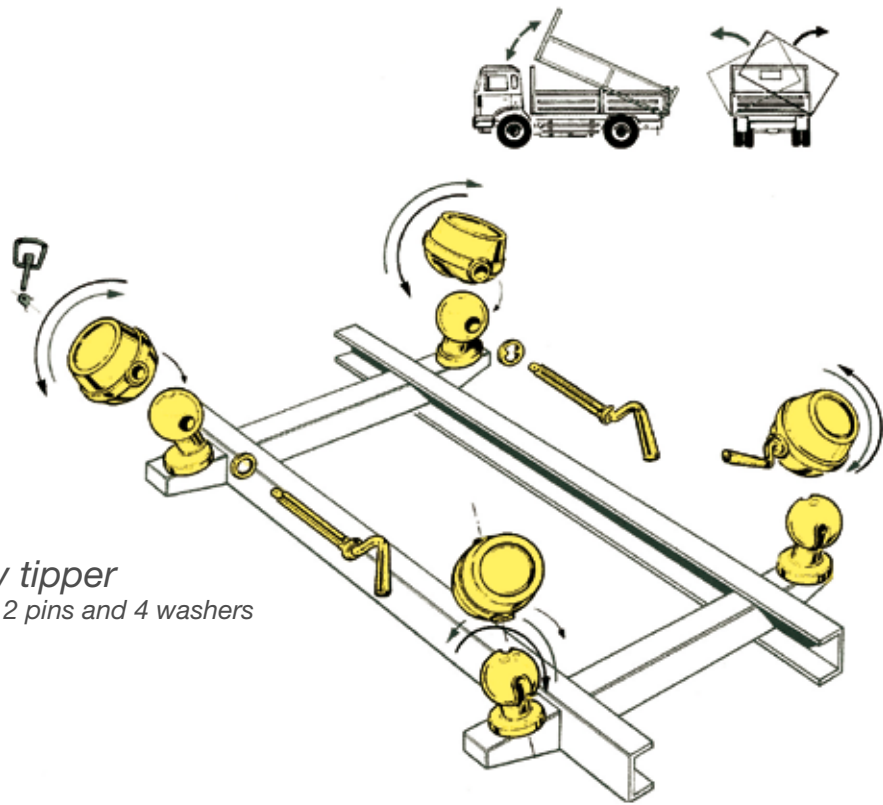
Reference	Dimensions (mm)	Weight (kg)
98 700	85 x 90	1,92

▲ Tipper thrust block large model

For vehicles over 7,5 tons - NF R17-108
Self colour steel

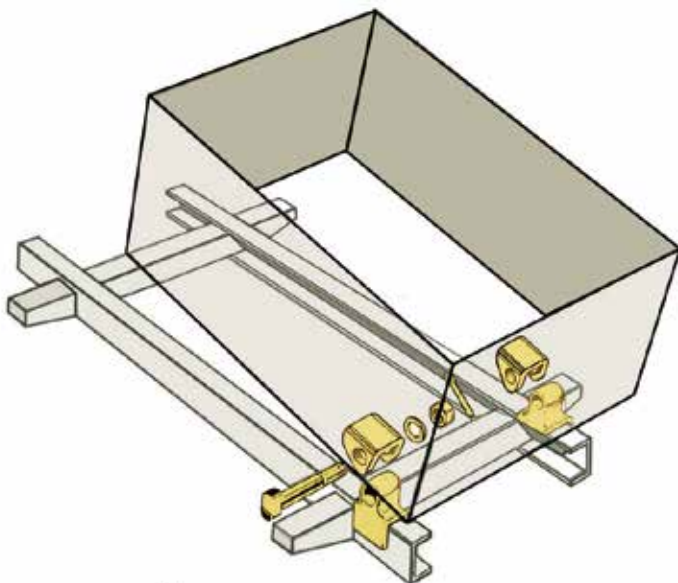


Reference	Dimensions (mm)	Weight (kg)
98 710	130 x 120	3,35



▲ *Equipement for 3-way tipper*
including : 4 spheres, 4 joints, 2 pins and 4 washers

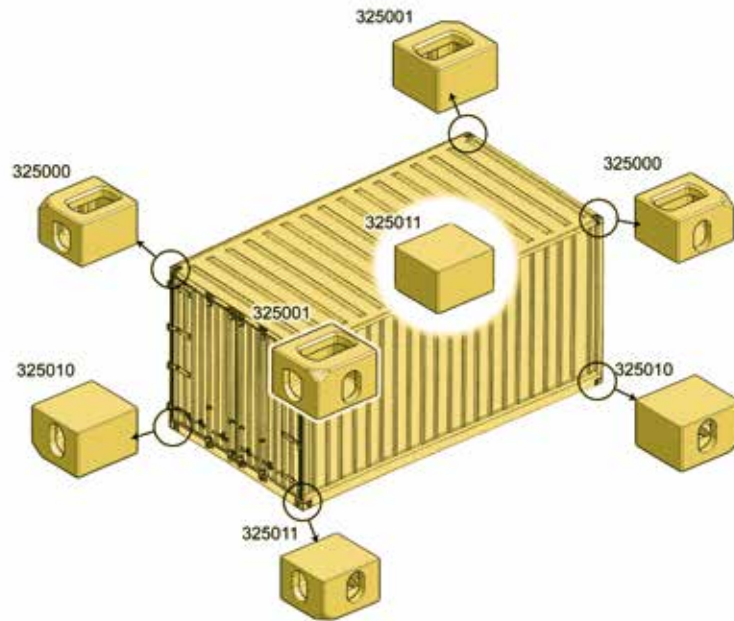
Reference	Diameter (mm)	Strength (tons)	Weight (kg)
98 000	60	2	11



▲ *Tipper joint set*

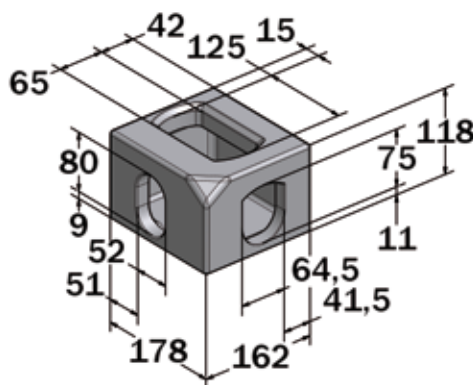
Including : -2 supports -2 hinges -2 pins -washers,
nuts, plungers
Self colour steel

Reference	Weight (kg)
98 900	9,47



▲ Container corner. Upper rear left and right front model

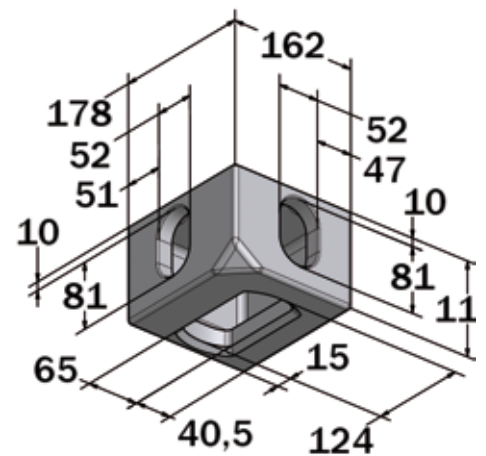
In accordance with ISO 1161 regulation
Cast steel



Reference	Marker	Weight (kg)
325 000	TL	11

▲ Container corner. Lower left rear and right front model

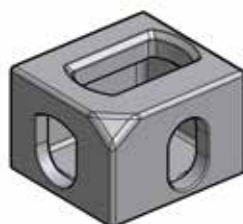
In accordance with ISO 1161 regulation
Cast steel



Reference	Marker	Weight (kg)
325 010	BL	11

▲ Container corner. Upper right rear and upper left front model

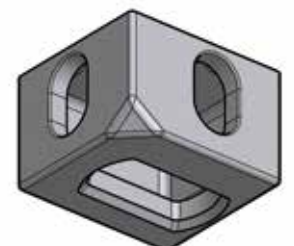
In accordance with ISO 1161 regulation
Cast steel



Reference	Marker	Weight (kg)
325 001	TR	11

▲ Container corner. Lower right rear and lower left front model

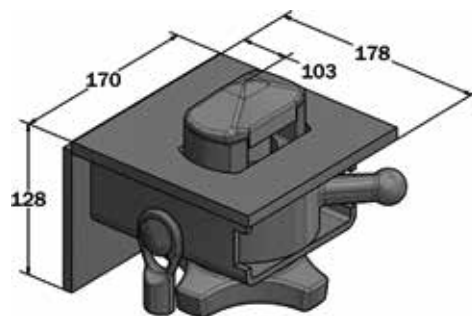
In accordance with ISO 1161 regulation
Cast steel



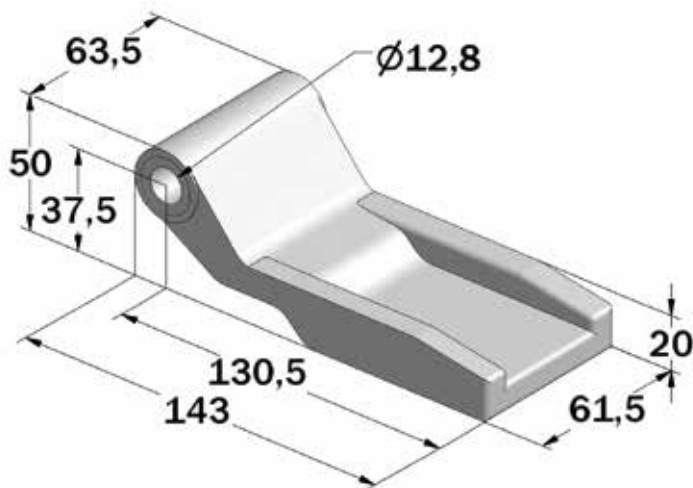
Reference	Marker	Weight (kg)
325 011	BR	11



▲ **Twistlocks**
Self colour steel

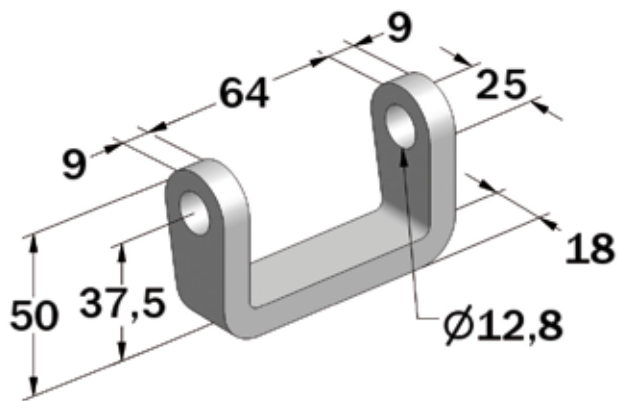


Reference	Weight (kg)
3 050 003	16



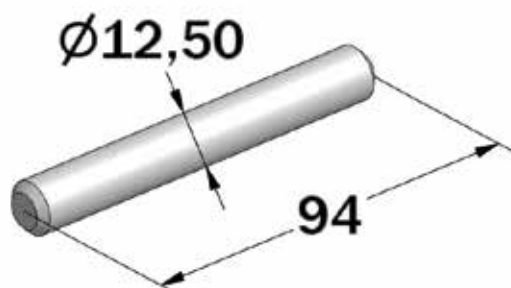
▲ Container hinge
Zinc plated steel

Reference	Weight (kg)
116 000	0,97



▲ Weld-on-bracket
Zinc plated steel

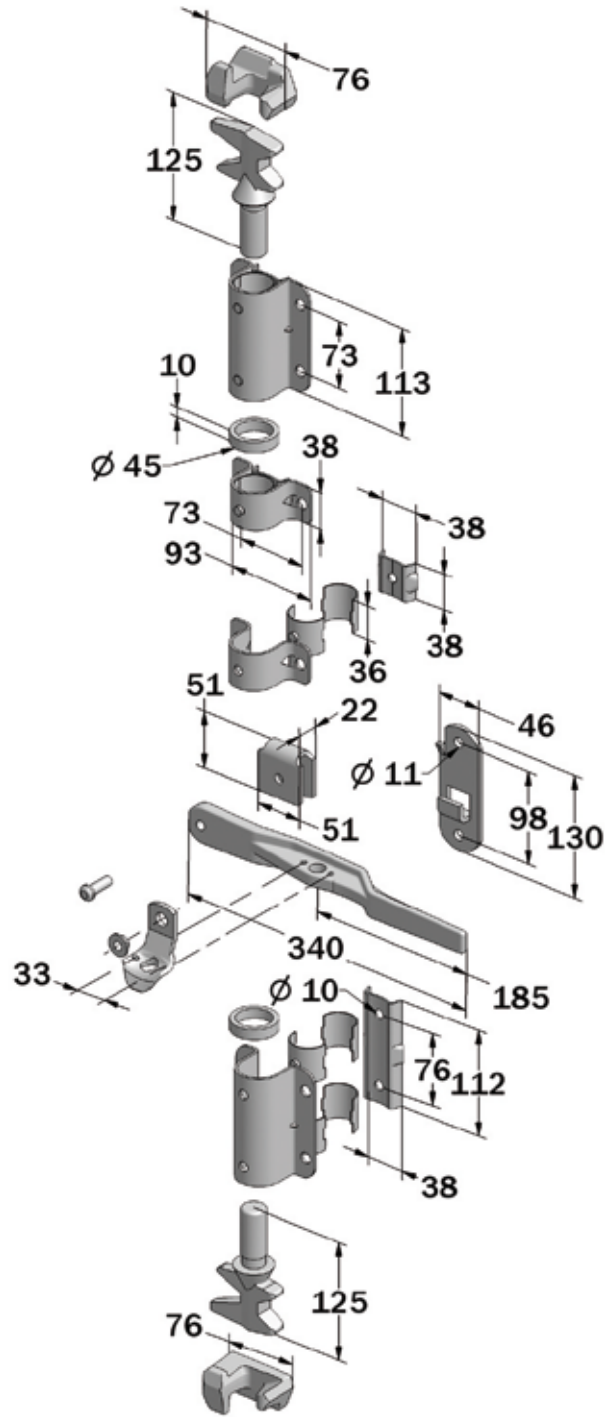
Reference	Weight (kg)
116 001	0,17



▲ Pin
Stainless steel

Reference	Weight (kg)
116 002	0,09

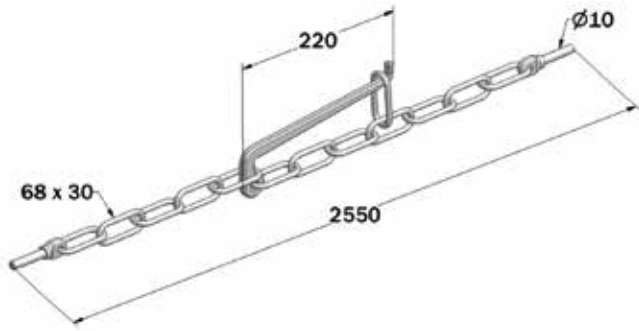
▲ Complete locking gear
Zinc plated steel



Reference	Weight (kg)
30 900	4,9

▲Dropside chain with tensioner

▲PVC chain

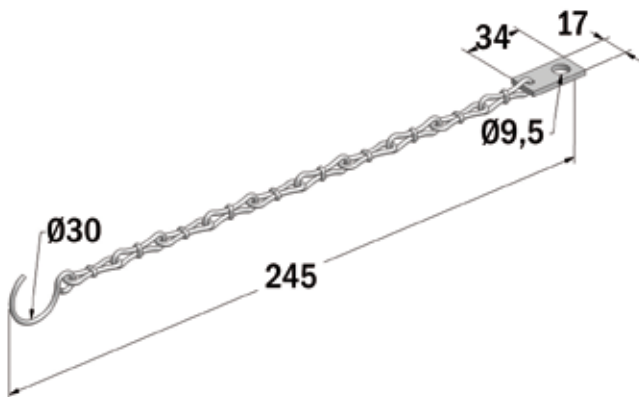


Reference	Length (mm)	Weight (kg)
102 510	2550	3

Reference	Length (mm)	Weight (kg)
102 511	255	0,02

▲Chain
Steel

▲Retaining chain and hook
Zinc plated steel



Reference	Length (mm)	Weight (kg)
102 512	245	0,02

Reference	Length (mm)	Weight (kg)
102 515	357	0,35