



Tracks 302

Padded rub rail 303

Shoring poles 306

Lashing ring - Locking ring - hooks 308

Stowage and accessories 311

PVC coated weldable webbing 314

Strap assemblies - Curtain accessories 315

Lashing rings 316

Lashing drums 317

Buckle and stowage set 318

Backplates 320

Curtain tensioner 322

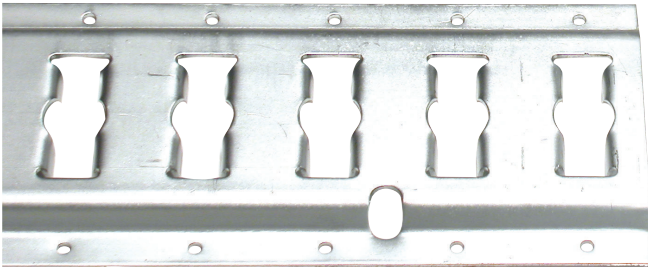
Profiles 323

Tracks and rollers 325

CARGO CONTROL

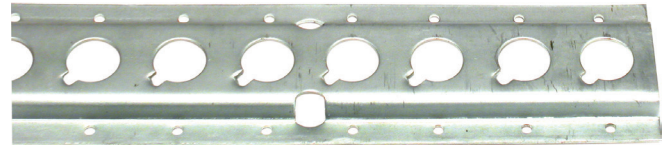


▲ **Steel track**
Zinc plated steel



Reference	Thickness (mm)	Width (mm)	Length (mm)	Weight (kg)
324 000	30/10	132	3050	8,5
324 010	25/10	132	3050	7

▲ **Zinc plated track, thickness 25/10**
Zinc plated steel



Reference	Width (mm)	Length (mm)	Weight (kg)
324 020	84	3050	4

▲ **End cap for rail width 132 mm**
For tracks 324 000 and 324 010
PVC



Reference	Weight (kg)
324 500	0,01

▲ **End cap for rail width 84 mm**
For track 324 020
PVC



Reference	Weight (kg)
324 501	0,01

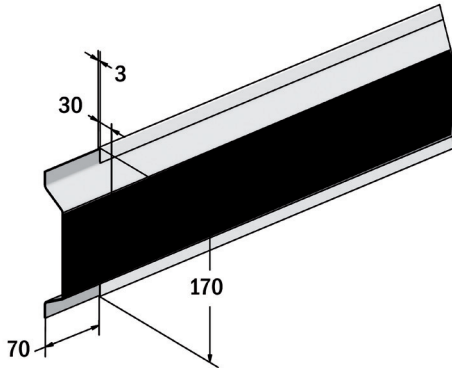


▲ **Crossbar support for track**
For tracks 324 000 and 324 010
Zinc plated steel



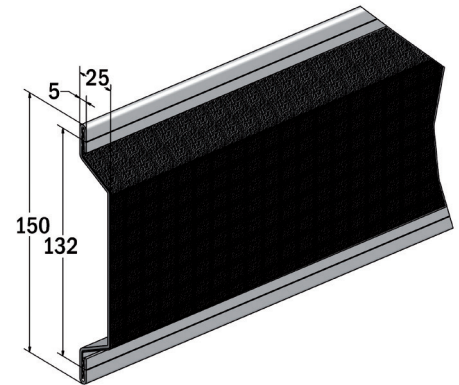
Reference	Weight (kg)
324 530	0,43

▲ *Padded galvanised steel rub rail*
Galvanized steel



Reference	Length (mm)	Weight (g/m)
324 056	4500	1400

▲ *Padded aluminium rub rail*
Aluminium



Reference	Length (mm)	Weight (g/m)
324 051	4500	1000

▲ *Offset bracket for tube Ø 13 mm*
Zinc plated steel



Reference	Weight (kg)	Packaging
324 451	3,80 / 100p	100

▲ *Bracket for tube Ø 17 mm*
Zinc plated steel



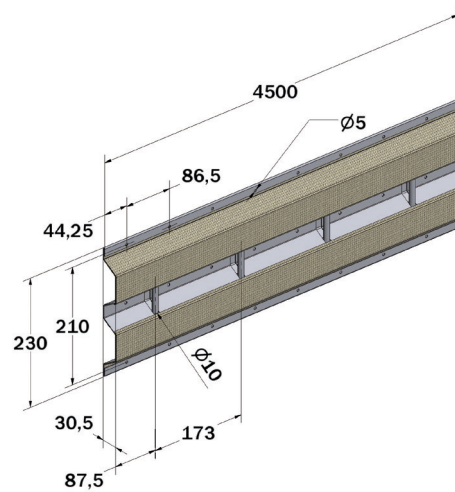
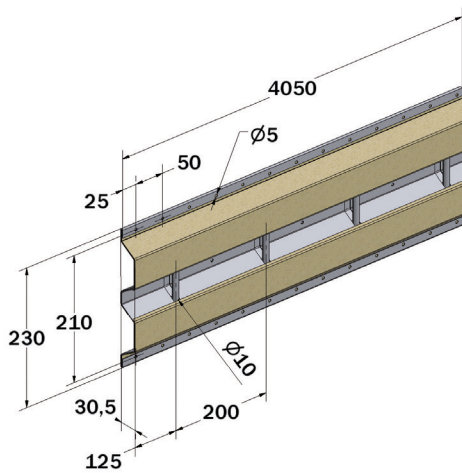
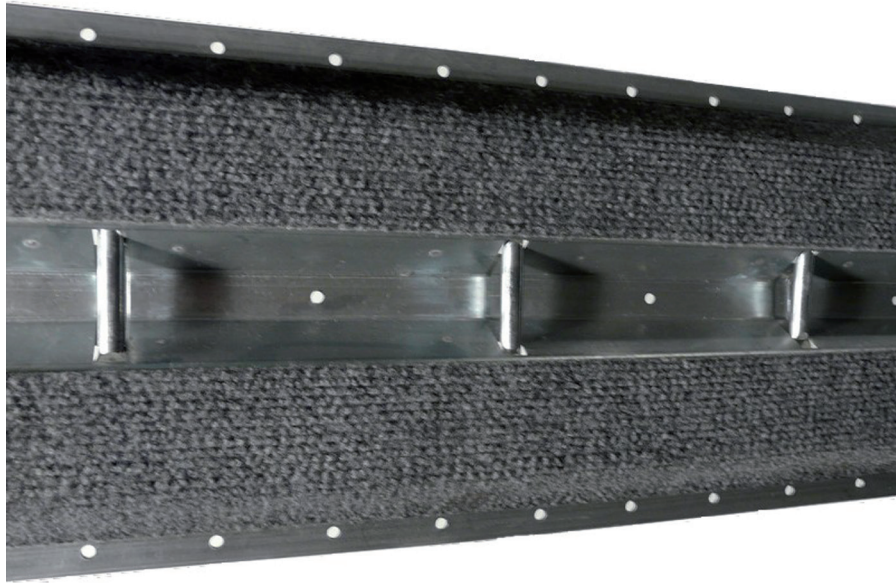
Reference	Weight (kg)	Packaging
324 457	1,75 / 100p	100



▲ *Bracket for tube Ø 13 mm*
Zinc plated steel

Reference	Weight (kg)	Packaging
324 450	1,75 / 100p	100

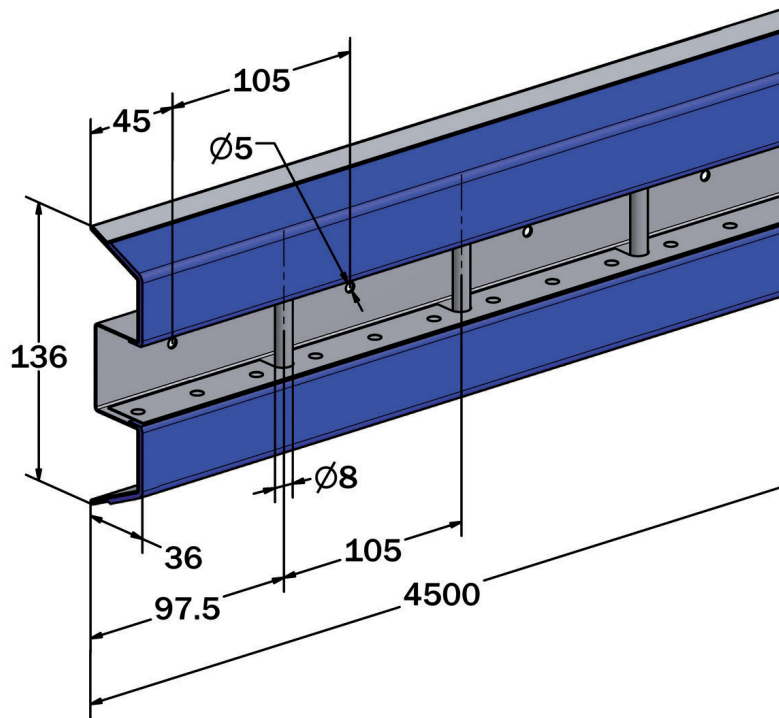
▲ Padded rub rail with load restraint - width 230 mm
Galvaniezd steel



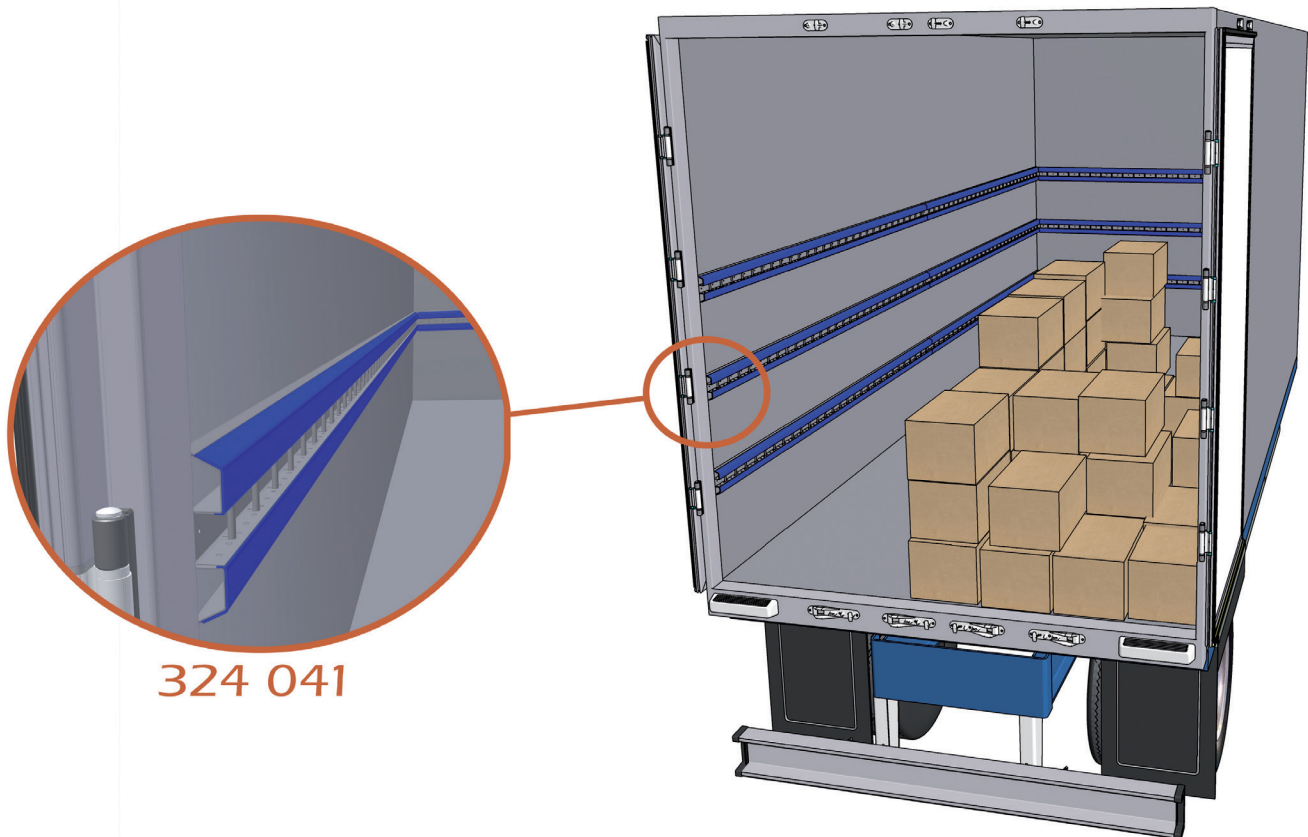
Reference	Length (mm)	Thickness (mm)
324 059	4050	12/10
324 060	4500	12/10



▲ Padded rub rail with load restraint - width 136 mm
Galvanized steel



Reference	Length (mm)
324 041	4500

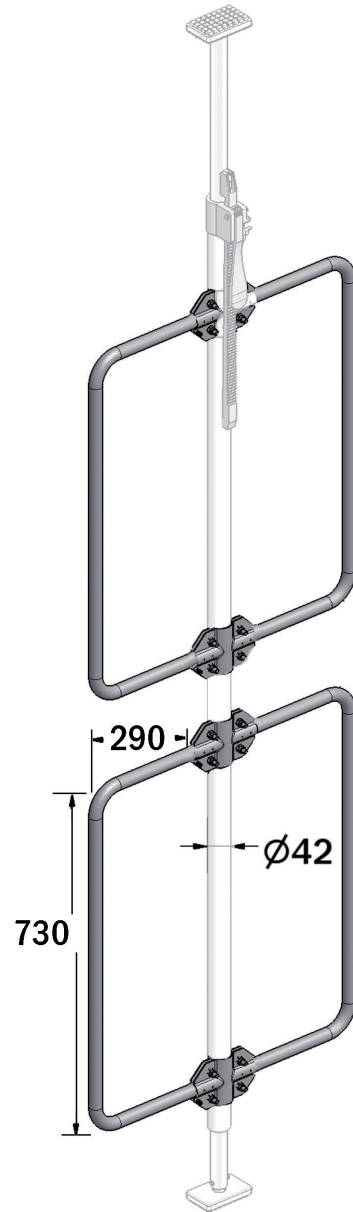
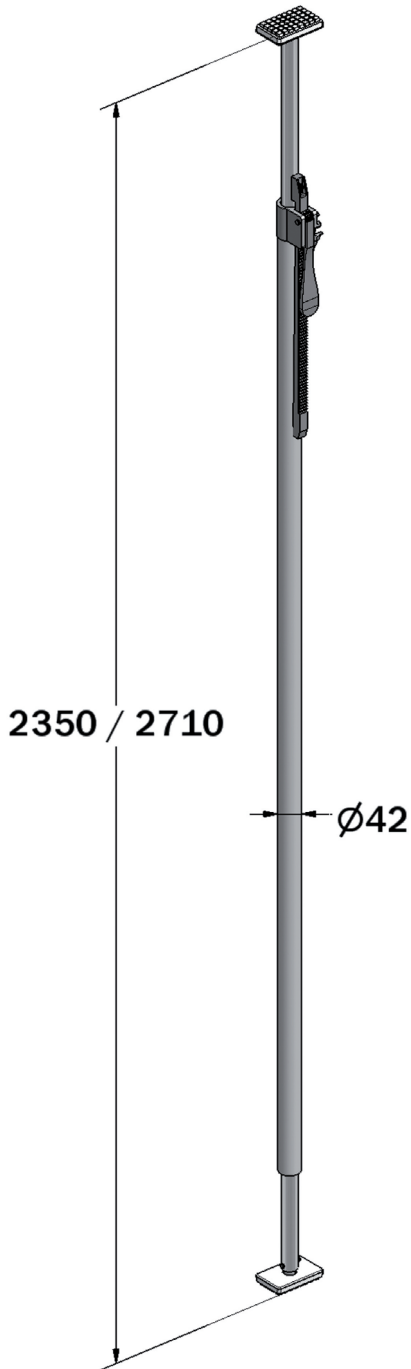


324 041



▲ **Shoring pole - Rubber ends**
Aluminium

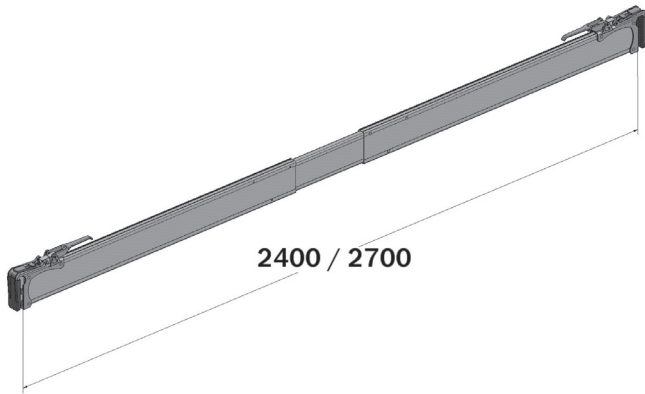
▲ **Kit of 2 batons for telescopic bar**
The dark parts in the picture are the kit 2 batons.
Zinc plated steel



Reference	Diameter (mm)	Length (mm)	Weight (kg)
324 090	42	2350-2710	4,60

Reference	Weight (kg)
324 091	5,32

▲ Shoring pole

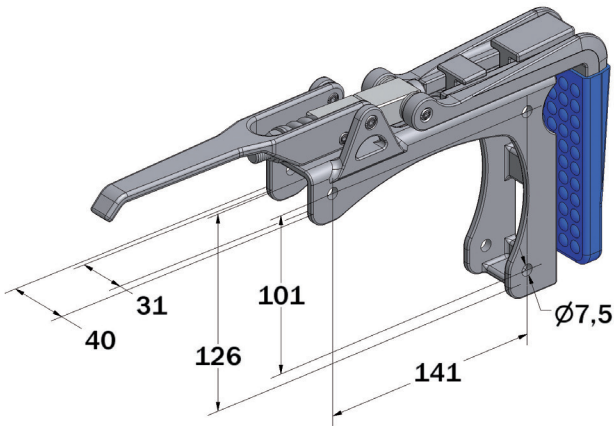


To be fixed on dropsides or on extension profiles.
Pliers adjustable from 20 to 30 mm, fitted on aluminium profile, length 2400 to 2700 mm.

Reference	Weight (kg)
324 300	8,27

▲ Clip for 324 300

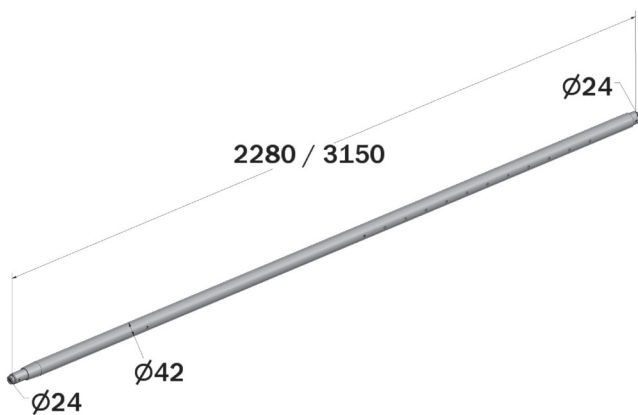
Zinc plated steel



Reference	Weight (kg)
324 305	2,10



▲ Adjustable shoring pole



For tracks 324 020, 324 000 and 324 010.
Zinc plated steel

Reference	Diameter (mm)	Length (mm)	Weight (kg)
324 080	42	2280-3150	9,50

▲Rectangular lashing ring
Zinc plated steel



Reference	Centre distance (mm)	Internal height (mm)	Weight (kg)	Packaging
143 232	55	20	0,03	100

▲Folding locking ring
Zinc plated steel



Reference	Center distance (mm)	Weight (kg)	Packaging
143 272	55	0,04	100

▲Locking ring
Zinc plated steel



Reference	Center distance (mm)	Weight (kg)	Packaging
143 273	55	0,05	100

▲Locking ring
Stainless steel spring
Zinc plated steel



Reference	Center distance (mm)	Weight (kg)	Packaging
143 274	51	0,04	100

▲Lashing ring
Black varnished



Reference	Internal length (mm)	Weight (kg)	Packaging
314 401	32	0,02	100
314 402	43	0,03	100

▲Lashing ring
Zinc plated steel



Reference	Internal length (mm)	Weight (kg)	Packaging
314 420	27	0,02	100
314 421	32	0,02	100



▲ *Curtain hook*
Zinc plated steel



Reference	height (mm)	Weight (kg)	Packaging
143 262	31	0,01	100

▲ *Curtain hook*
Zinc plated steel



Reference	height (mm)	Weight (kg)	Packaging
143 261	37	0,01	100

▲ *Curtain hook*
Zinc plated steel



Reference	height (mm)	Weight (kg)	Packaging
143 260	72	0,03	100

▲ *Curtain hook*
Aluminium



Reference	Weight (kg)	Packaging
143 256	0,01	100

▲ *Curtain hook*
Galvanized steel



Reference	Weight (kg)	Packaging
143 258	0,04	100

▲ *Weld-on curtain hook*
Self colour steel



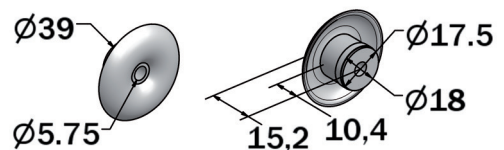
Reference	Weight (kg)	Packaging
143 259	0,02	100

▲ *Bent hook*
Self colour steel



Reference	Diameter (mm)	Weight (kg)	Packaging
143 257	10	0,06	100

▲ *Plastic pulley*
Grey



Reference	Weight (kg)	Packaging
143 284	0,64	100



▲ Lashing rail with offset lashing rings
Zinc plated steel

Reference	Width (mm)	Length (mm)	Weight (kg)
143 229	35	1050	0,70

▲ Offset lashing ring
Zinc plated steel



Reference	Center distance (mm)	Weight (kg)	Packaging
143 243	55	0,03	100

▲ Rectangular lashing ring
Zinc plated steel



Reference	Internal height (mm)	Weight (kg)	Packaging
143 231	15	0,03	100

▲ Half round lashing ring
Zinc plated steel



Reference	Internal height (mm)	Centre distance (mm)	Weight (kg)	Packaging
143 244	32	55	0,03	100

▲ Half round lashing ring
Zinc plated steel



Reference	Internal height (mm)	Center distance (mm)	Weight (kg)
143 242	20	55	0,03

▲ Plate for lashing ring
Zinc plated steel



Reference	Weight (kg)	Packaging
143233	0,02	100

▲ Folding lashing ring
Zinc plated steel

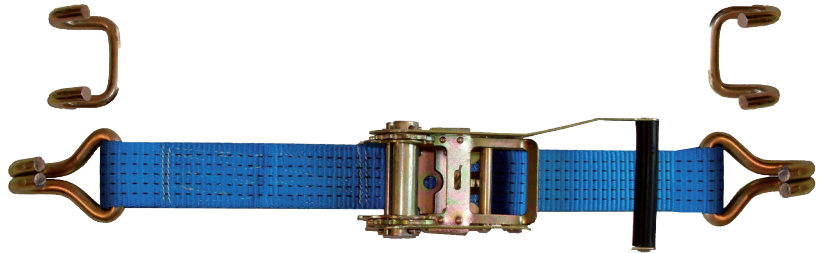


Reference	Center distance (mm)	Weight (kg)	Packaging
143 250	50	0,03	100



▲6 Tons webbing strap assembly 9 m with double security ratchet

50 mm width webbing. Delivred with label indicating strength and manufacturing date. Can be marked, 26 characters max. spaces included.



Reference	Description	Couleur	Colour
146 911	With open fingers hooks	Bleu	Blue
146 939	With open fingers hooks	Jaune	Yellow
146 942	With open fingers hooks	Orange	Orange
146 944	With open fingers hooks	Rouge	Red
146 936	With open fingers hooks	Vert	Green
146 900	With close fingers hooks	Bleu	Blue
146 937	With close fingers hooks	Jaune	Yellow
146 940	With close fingers hooks	Orange	Orange
146 943	With close fingers hooks	Rouge	Red
146 935	With close fingers hooks	Vert	Green

▲Strap assembly, webbing resistance 2,5 tons

Orange webbing. Can be marked, 26 characters max. spaces included.



Reference	Width (mm)	Length (mm)
146 844	35	5000




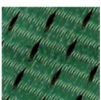
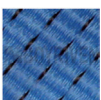
▲ **Internal strap assembly 2,5 t with 50 mm ratchet**
 50 mm width webbing. Can be marked, 26 characters max. spaces included.



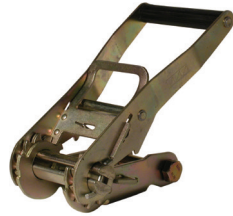
Reference	Description	Length (mm)	Strenght (kg)
146 861	<i>With type A hooks</i>	3650	2500
146 862	<i>With type B fastenings</i>	3650	2500
146 865	<i>With type C hooks</i>	3650	2500



▲ **6 Ton webbing, polyestrer, 50 mm**

Reference	Coil m	Couleur	Colour	Weight (kg)
 242 062	100	Jaune	<i>Yellow</i>	11
 242 063	100	Rouge	<i>Red</i>	11
 242 065	100	Orange	<i>Orange</i>	11
 242 066	100	Vert	<i>Green</i>	11
 242 067	100	Bleu	<i>Blue</i>	11

▲ Ratchet tensionner with double lock for 6 tons webbing strap assembly



Reference	Width (mm)	Weight (kg)	Max weight (kg)
146 912	50	1,20	2500

▲ Claw hook for 6 ton webbing strap assembly



Reference	Width (mm)	Weight (kg)	Max weight (kg)
146 945	50	0,30	2500

▲ Open hook for 6 ton webbing strap assembly



Reference	Width (mm)	Weight (kg)	Max weight (kg)
146 915	50	0,22	2500

▲ Claw hook for internal strap assembly
Zinc plated steel



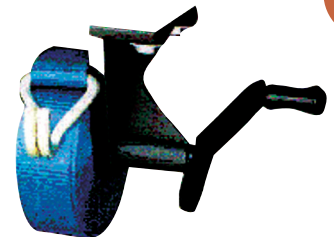
Reference	Width (mm)	Weight (kg)	Max weight (kg)
146 933	50	0,10	1250

▲ End fixing for internal strap assembly



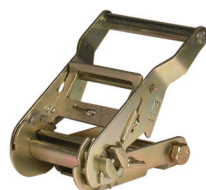
Reference	Width (mm)	Weight (kg)
146 938	50	0,10

▲ Strap reel
Plastic
Black



Reference	Weight (kg)
324 150	0,29

▲ Ratchet for internal strap assembly



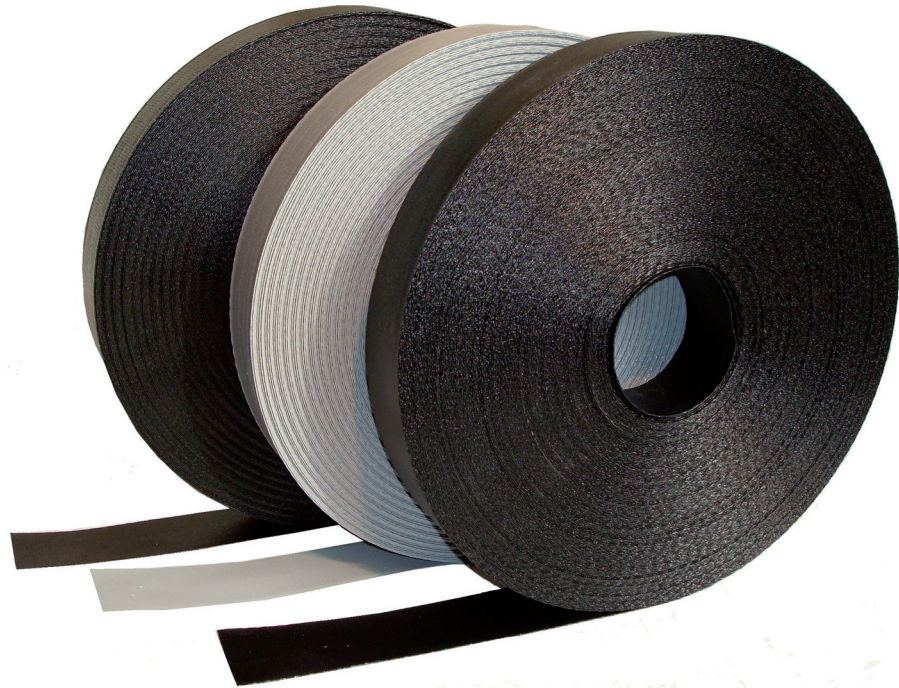
Reference	Width (mm)	Weight (kg)	Max weight (kg)
146 917	50	0,53	1250

▲ Wear sleeve
Blue Black



Reference	Diameter (mm)	Coil m	Weight (kg/m)
242 100	40	100	0,27

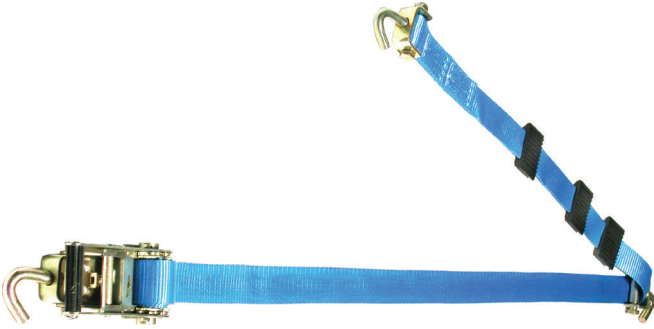
▲ *Webbing*
Coated weldable



Reference	Width (mm)	Strenght (kg)	Colour
242 179	150	N/A	<i>White</i>
242 159	46	1300	<i>White</i>
242 209	50	2600	<i>White</i>
242 158	46	1300	<i>Light grey</i>
242 208	50	2600	<i>Light grey</i>
242 170	150	N/A	<i>Black</i>
242 150	46	1300	<i>Black</i>
242 200	50	2600	<i>Black</i>

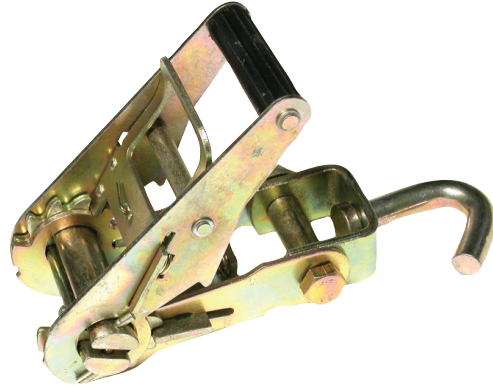


▲3 points strap assembly for car transport, with 50 mm webbing



Reference	Length (mm)	Weight (kg)
146 901	2500	4,50

▲Tensionner only



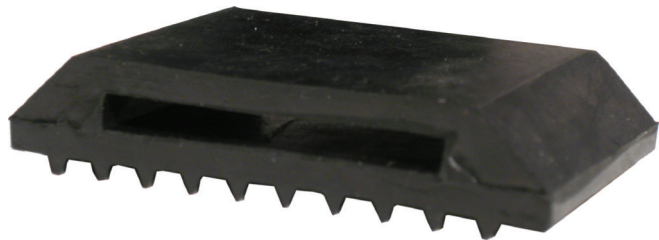
Reference	Weight (kg)
146 924	0,80

▲Hook only

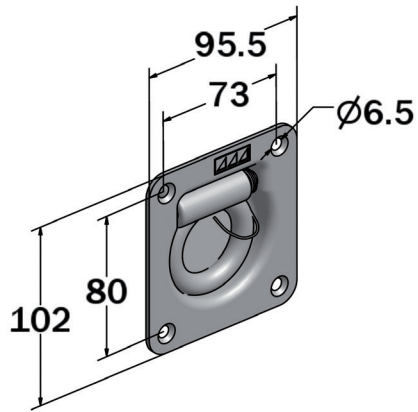


Reference	Weight (kg)
146 934	0,37

▲Rubber pad only



Reference	Weight (kg)
146 983	0,05

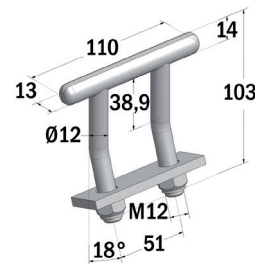
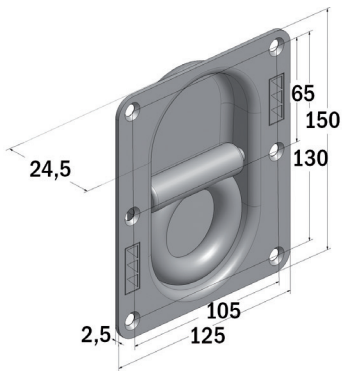


▲Lashing ring

Reference	Material	Dimensions (mm)	Weight (kg)	Max weight (kg)
111 700	Zinc plated steel	95 x 102	0,38	750
111 701	Galvanized steel	95 x 102	0,38	750

▲Lashing ring (double)
Zinc plated steel

▲Recessed deck lashing ring
Zinc plated steel

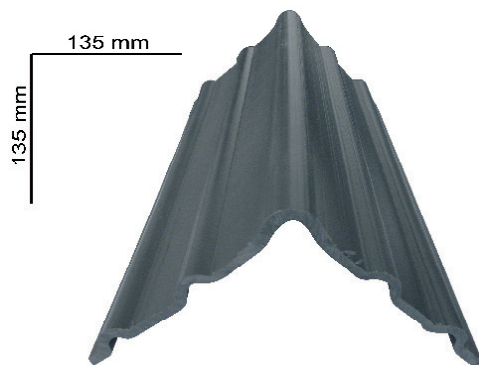
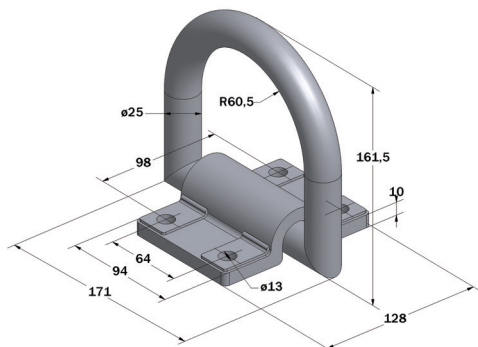


Reference	Weight (kg)
111 710	0,56

Reference	Weight (kg)
111 720	0,38

▲Weld-on ring
Galvanized steel

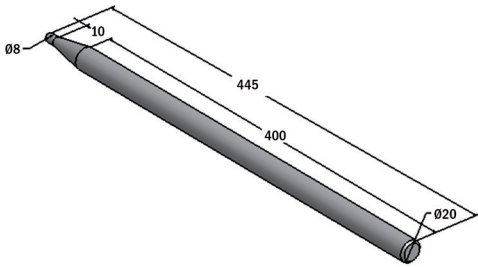
▲Protection corner, black polyethylene



Reference	Max weight (kg)	Weight (kg)
111 740	12000	2,90

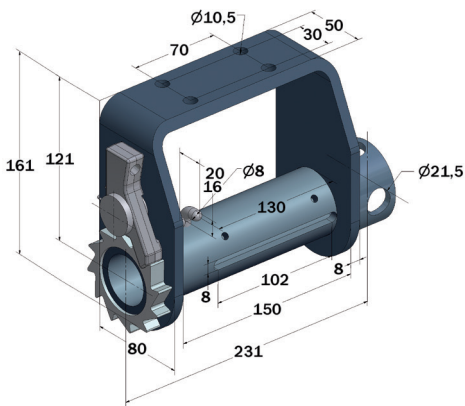
Reference
146 999

▲Winch bar for drum
Steel



Reference	Weight (kg)
202 904	1,00

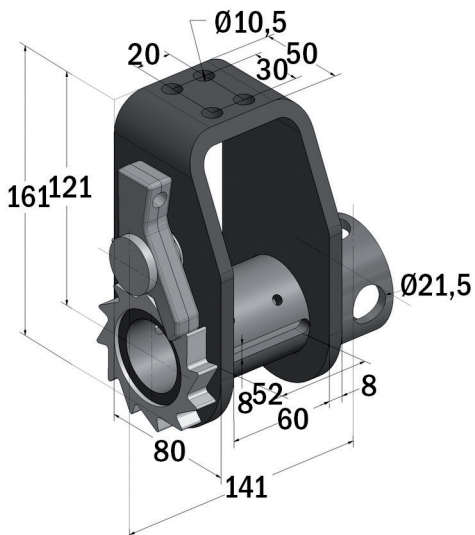
▲Lashing drum
Steel



Reference	Webbing (mm)	Weight (kg)
202 910	100	3,24



▲Lashing drum
Steel



Reference	Webbing (mm)	Weight (kg)
202 905	50	2,45

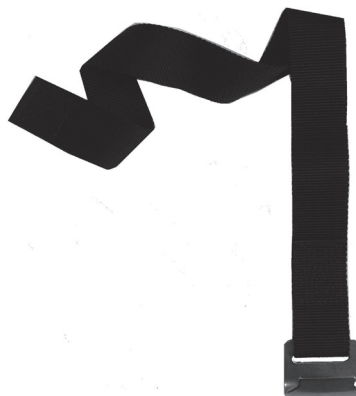
▲Standard strap assembly



Reference	Description	Webbing length (m)
146 961	Buckle 146 950 + hook 146 960	0,80
146 962	Buckle 146 951 + hook 146 960	0,80
149 117	Buckle 146 951 + hook 146 957	0,80
149 119	Buckle 146 951 + hook 146 959	0,80
149 150	Buckle 146 951 + hook 146 960	1,30
149 157	Buckle 146 951 + hook 146 957	1,30
149 159	Buckle 146 951 + hook 146 959	1,30
149 217	Buckle 146 952 + hook 146 957	0,80
149 219	Buckle 146 952 + hook 146 959	0,80
149 410	Buckle 146 954 + hook 146 960	0,80
149 417	Buckle 146 954 + hook 146 957	0,80
149 419	Buckle 146 954 + hook 146 959	0,80



▲Bottom strap



Reference	Description	Webbing length (m)
146 971	Hook 146 960	0,80
146 975	Hook 146 960	1,30
149 917	Hook 146 957	0,80
149 919	Hook 146 959	0,80
149 957	Hook 146 957	1,30

▲Overcentre buckle

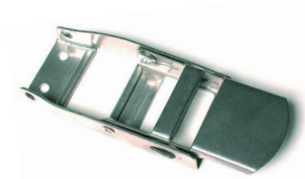
Epoxy black (500 hours)
For 48/50 mm webbing.
T.M.U./U.T.S. : 800 kg



Reference	Thickness (mm)	Weight (kg)
146 950	1,75	0,26

▲Overcentre buckle

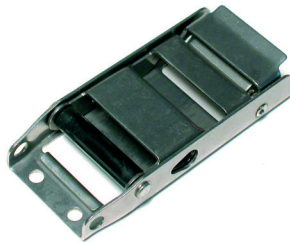
Stainless steel polished for 48/50 mm webbing
T.M.U./U.T.S. : 900 kg.



Reference	Thickness (mm)	Weight (kg)
146 951	1,75	0,24

▲Compact tysafe locking buckle

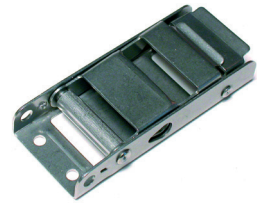
Stainless steel polished
- 2 mm stainless steel roller,
for 43/45 mm webbing
- T.M.U./U.T.S. : 1150 kg.



Reference	Weight (kg)
146 952	0,32

▲Compact tysafe locking buckle

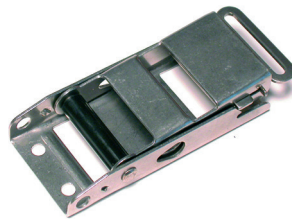
Stainless steel polished
- 1,5 mm stainless steel roller,
for 43/45 mm webbing
- T.M.U./U.T.S. : 1500 kg.



Reference	Weight (kg)
152 011	0,31

▲Pull down locking buckle

Stainlesse steel polished.
Plastic roller, for 43/45 mm
webbing - T.M.U. : 1150 kg.



Reference	Thickness (mm)	Weight (kg)
146 954	2,50	0,30

▲Hook

Zinc plated steel



Reference	Thickness (mm)	Weight (kg)
146 957	4	0,15

▲Hook

Stainless steel



Reference	Thickness (mm)	Weight (kg)
146 959	3	0,16

▲Closed rave hook

Zinc plated steel



Reference	Diameter (mm)	Weight (kg)	Max weight (kg)
146 960	10	0,14	1500

▲ Serated backplate

With steel clench studs
M2 x 20 mm + nuts
Stainless steel



Reference	Center distance (mm)	Weight (kg)	Packaging
152 243	40	0,04	50

▲ Backplate

Back fixing plates
M6 x 15mm + nuts
Plastic



Reference	Center distance (mm)	Weight (kg)	Packaging
146 989	28	0,02	50

▲ Backplate

2 holes Ø4 mm, no studs
Stainless steel



Reference	Center distance (mm)	Weight (kg)	Packaging
146 982	28	0,01	100

▲ Backplate

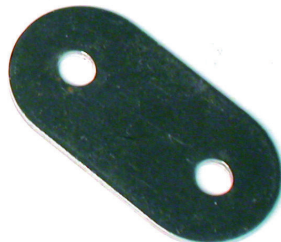
With stainless steel clench studs M6 x 15 mm + nuts.
Stainless steel



Reference	Center distance (mm)	Weight (kg)	Packaging
152 232	28,2	0,03	50

▲ Backplate

Alone, with 2 holes Ø6 mm
Stainless steel



Reference	Center distance (mm)	Weight (kg)	Packaging
152 260	28,2	0,01	50

▲ Backplate

With clench studs M6 x 15 mm + nuts.
Stainless steel



Reference	Center distance (mm)	Weight (kg)	Packaging
152 252	28,2	0,02	50

▲ Serated backplate

With clench studs
M6 x 20 mm + nuts.
Stainless steel



Reference	Center distance (mm)	Weight (kg)	Packaging
152 253	28,2	0,02	50

▲ Serated backplate

Alone, with 2 holes Ø6 mm
Stainless steel



Reference	Center distance (mm)	Weight (kg)	Packaging
152 250	28,2	0,01	50

▲Backplate

With clench studs M6 x 20 mm + nuts.
Stainless steel



Reference	Center distance (mm)	Weight (kg)	Packaging
152 261	28,2	0,03	50

▲Backplate

With clench studs M6 x 15 mm + nuts.
Stainless steel



Reference	Center distance (mm)	Weight (kg)	Packaging
152 262	28,2	0,02	50

▲Backplate

Alone, with 2 holes Ø6 mm
Stainless steel



Reference	Center distance (mm)	Weight (kg)	Packaging
152 240	40	0,02	50

▲Backplate

With clench studs M6 x 15 mm + nuts.
Stainless steel



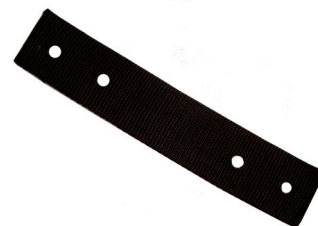
Reference	Center distance (mm)	Weight (kg)	Packaging
152 242	40	0,03	50

▲Shroud and cap



Reference	Weight (kg)
146 980	0,02

▲Webbing

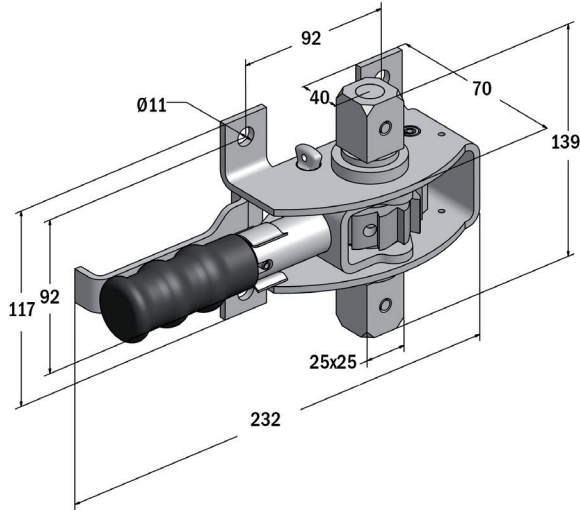


Reference	Length (mm)	Width (mm)	Weight (kg)
149 310	250	47	0,01



▲ *Curtain tensionner with safety mechanism*

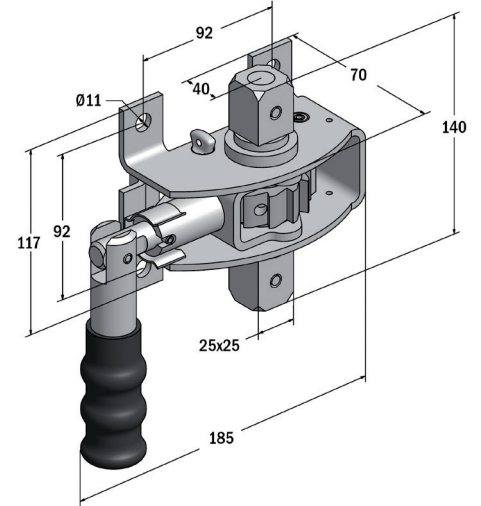
*Telescopic handle.
For profile 326 110.
Zinc plated steel*



Reference	Weight (kg)
326 100	2,50

▲ *Curtain tensionner with safety mechanism*

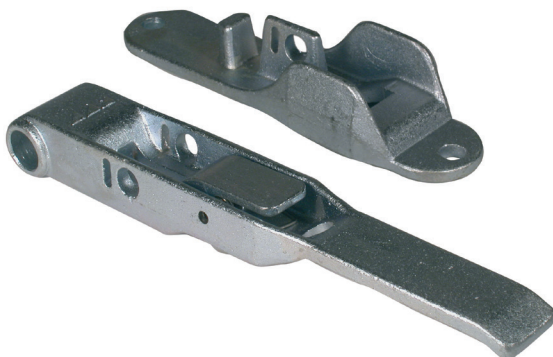
*Articulated handle.
For profile 326 110.
Zinc plated steel*



Reference	Weight (kg)
326 105	2,6

▲ *Simplified curtain tensionner*

Zinc plated steel



Reference	Weight (kg)
326 120	1,59

▲ *Curtain tensionner*

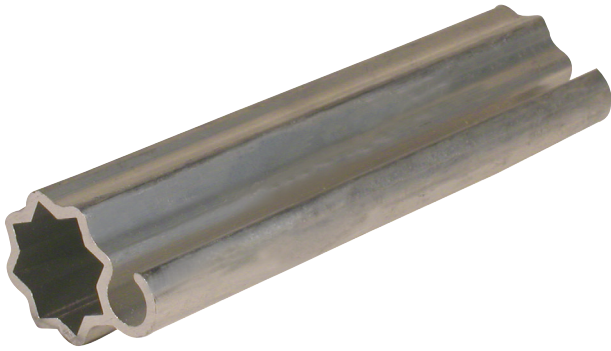
*Ergonomic handle.
For profile 326 136 and adaptor 326 152.
Zinc plated steel*



Reference	Specificity	Weight (kg)
326 150	<i>Right</i>	1,56
326 151	<i>Left</i>	1,56

▲Curtain pole

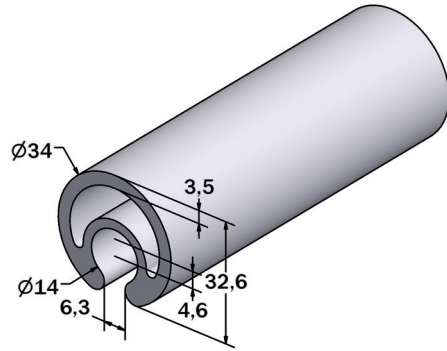
For 326 100 and 326 105.



Reference	length (m)	Weight (kg/m)
326 110	3,25	4,30

▲Curtain pole

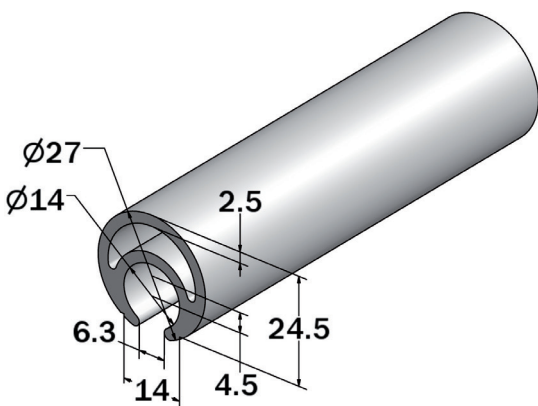
Aluminium



Reference	length (m)	Weight (kg)
326 135	3,30	2,85

▲Curtain pole

For 326 152.
Mill finish aluminium



Reference	Length (mm)	Weight (kg/m)
326 136	3300	0,72

▲Adaptor

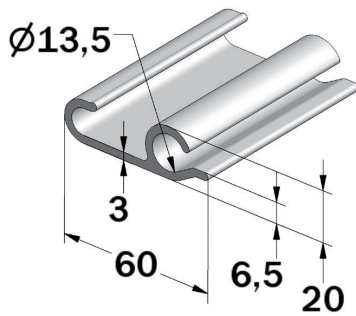
For 326 150, 326 151 and profile 326 136.
Zinc plated steel



Reference	Weight (kg)
326 152	0,15

▲Profile for tensioner

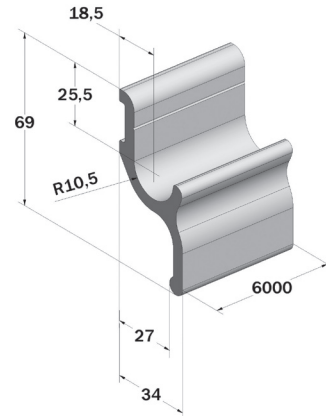
Aluminium



Reference	length (m)	Weight (kg/m)
270 570	3,30	0,10

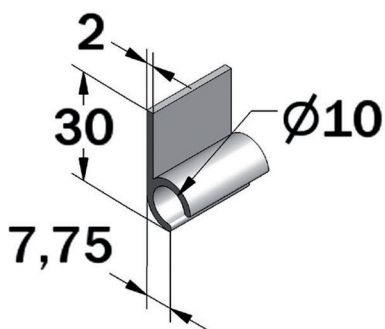
▲Aluminium profile

Strap assemblies
on trailer side



Reference	Length (mm)	Weight (kg/m)
146 800	6000	1,46

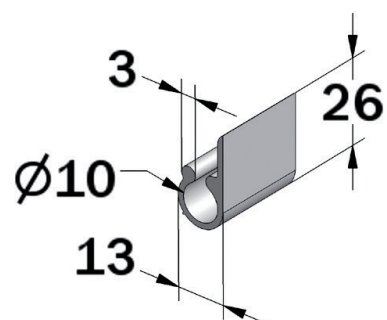
▲Aluminium profile



Reference	Material	Length (mm)	Weight (kg/m)
107 188	Mill finish aluminium	5000	1,5
107 189	Anodized aluminium	5000	1,5

▲Aluminium profile

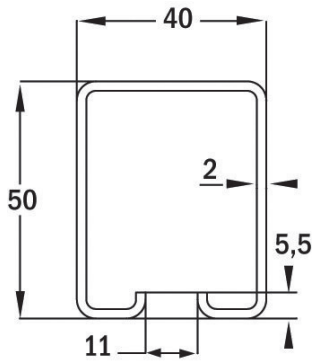
Mill finish aluminium



Reference	Length (mm)	Weight (kg)
25 470 01	5000	240

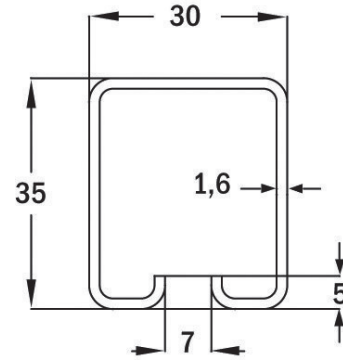
▲Curtain track 50 x 40

Galvanized steel



▲Curtain track 35 x 30

Galvanized steel

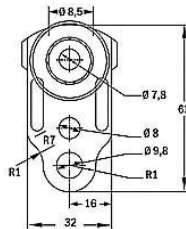


Reference	Length (mm)	Weight (kg/m)
146 990	6000	2,34

Reference	Length (mm)	Weight (kg/m)
146 991	6000	1,34

▲Roller assembly

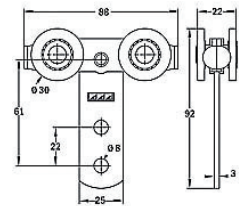
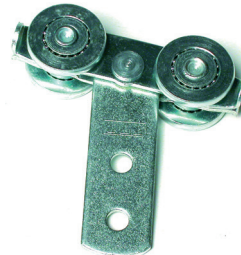
For track 146 991



Reference	Weight (kg)
143 302	0,24

▲Roller assembly

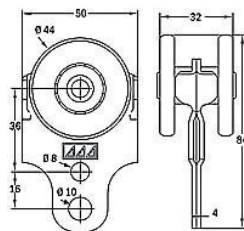
For track 146 991



Reference	Weight (kg)
143 304	0,20

▲Roller assembly

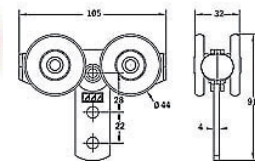
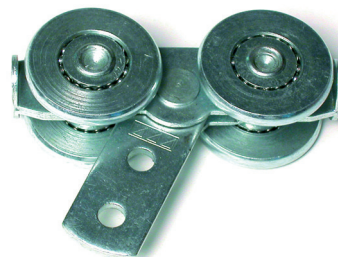
For track 146 990



Reference	Weight (kg)
143 312	0,10

▲Roller assembly

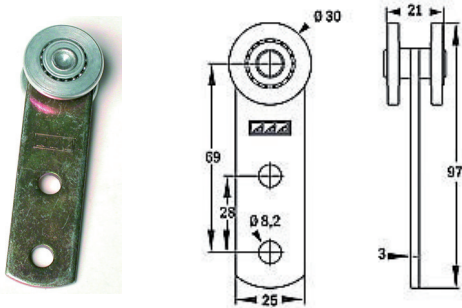
For track 146 990



Reference	Weight (kg)
143 314	0,45

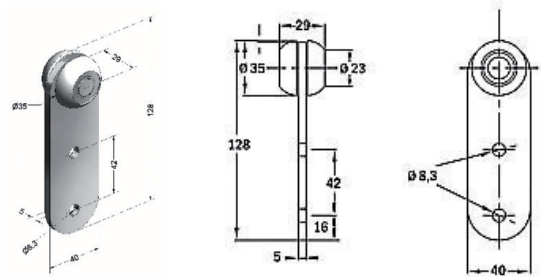


▲Roller assembly



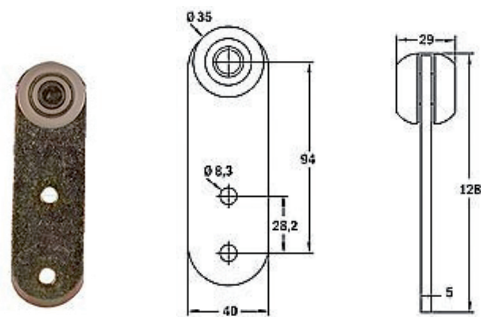
Reference	Weight (kg)
143 307	0,11

▲Roller assembly



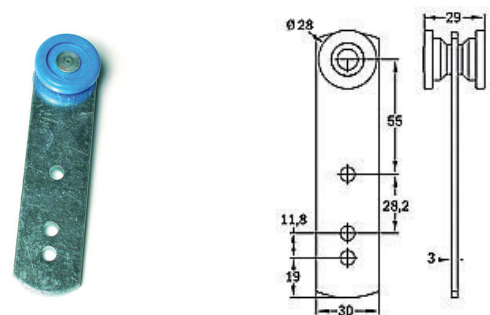
Reference	Weight (kg)
143 320	0,23

▲Roller assembly



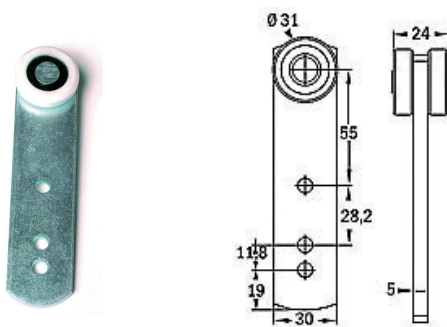
Reference	Weight (kg)
152 405	0,24

▲Roller assembly



Reference	Weight (kg)
152 434	0,14

▲Roller assembly



Reference	Weight (kg)
152 442	0,18

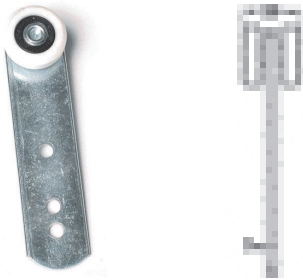
▲Roller assembly



Reference	Weight (kg)
152 443	0,13

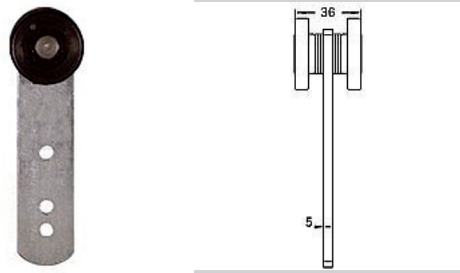


▲Roller assembly



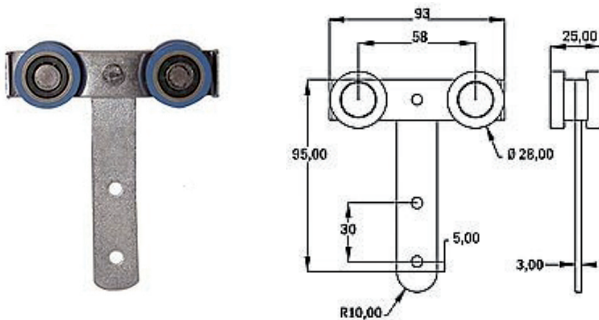
Reference	Weight (kg)
152 444	0,13

▲Roller assembly



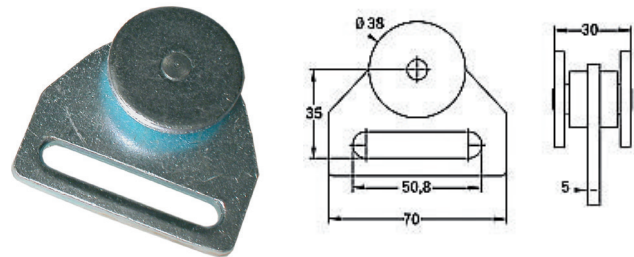
Reference	Weight (kg)
152 473	0,18

▲Roller assembly



Reference	Weight (kg)
152 409	0,16

▲Steel wheel nethanger
Floppy nethanger

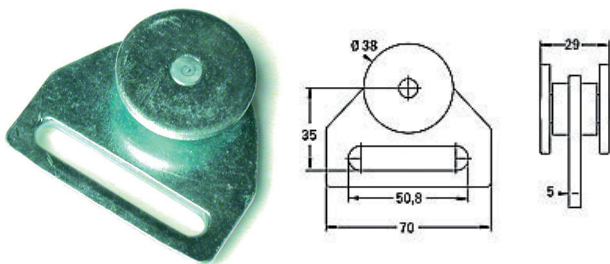


Reference	Weight (kg)
152 403	0,15



▲Steel wheel nethanger

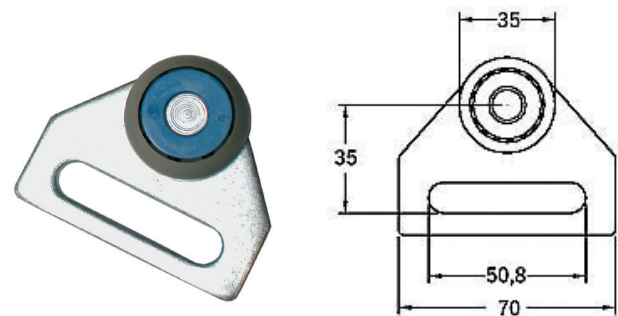
Nethanger



Reference	Weight (kg)
152 402	0,15

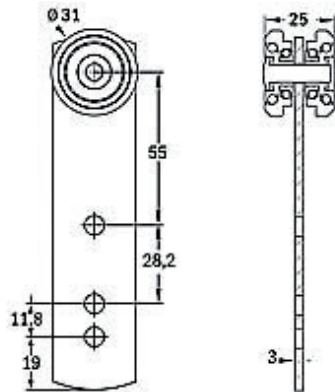
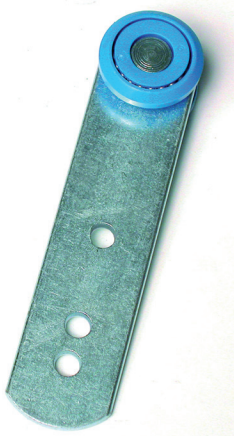
▲Steel wheel nethanger

Nethanger



Reference	Weight (kg)
152 422	0,15

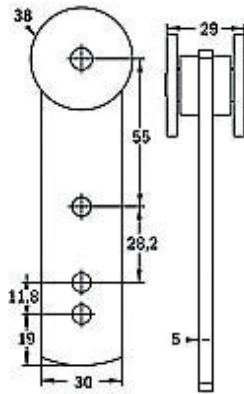
▲Plastic bearing roller



Reference	Weight (kg)
143 321	0,11

▲Steel wheel roller

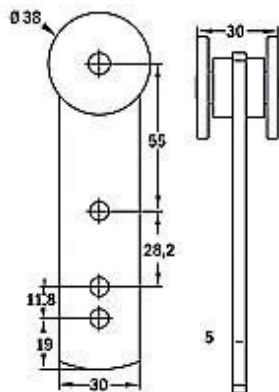
Roller



Reference	Weight (kg)
152 400	0,24

▲Steel wheel roller

Floppy roller



Reference	Weight (kg)
152 401	0,24

